

HighFlow™

MS83 / MS125
Large Size Hydraulic Motors

MS83 / MS125 Large Size Hydraulic Motors

Displacement up to
15 000 cc

Higher Speed
+50%

HighFlow™

More Power, Less Energy Consumption

Poclain Hydraulics, a worldwide leader for the hydrostatic transmissions, is proud to launch the MS83 and MS125 HighFlow, their new radial pistons motors with large displacement (up to 15,000cc), especially dedicated to Heavy-Duty Applications (Industrial, Mining, Marine,...)

Today, companies working in those very demanding industries do not only focus on high-performance drive solutions for their machines, but they also pay particular attention on increasing up-time and optimizing operating costs, which both contribute to reduce the « Total Cost of Ownership ».

Capitalizing on decades of hydrostatic drive experience and heavy-duty application knowhow, the MS83 and MS125 HighFlow have been designed to address all these fundamental criteria, combining high power density (up to 240 kW), robust and proven architecture, while offering superior efficiency even at low speed, thanks to their redesigned valving distribution cover.

77 kN.m
max.

240 kW
max.

Lower
pressure drop
-50%



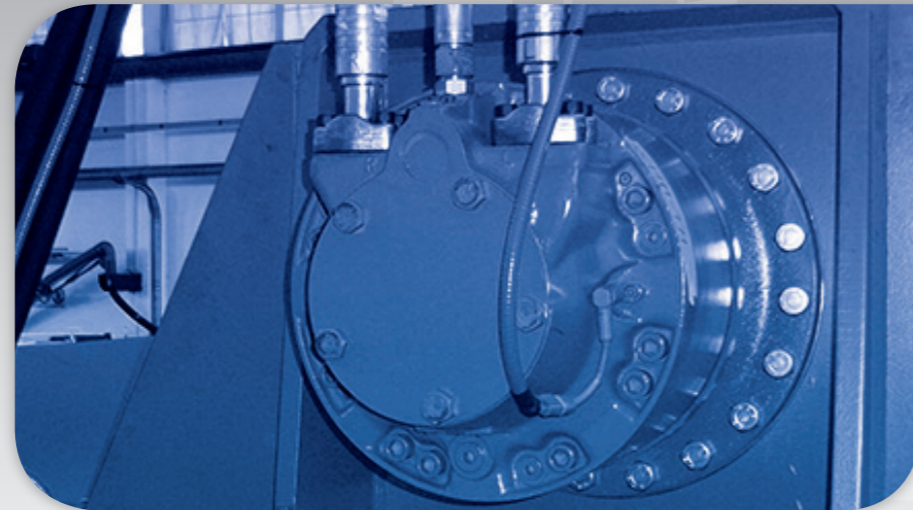
POCLAIN
Hydraulics



Quality

Reliability and durability, are must for your machines. After 50 years of expertise in hydraulics, MS83 & MS125 HighFlow are the outcome of 10 years of design, development, and validation. They reinforce the brand image of your machines and contributes to customer satisfaction.

Reliable & Proven Design



Efficiency

Thanks to their new distribution design, the MS83 & MS125 HighFlow allow reduction of the pressure drops observed during motor operation, which affect the overall motor efficiency. Considering global energy consumption of your installation, you can then expect important savings, making your offer more attractive.

High efficiency & Low Pressure drops even at low speed



Performance

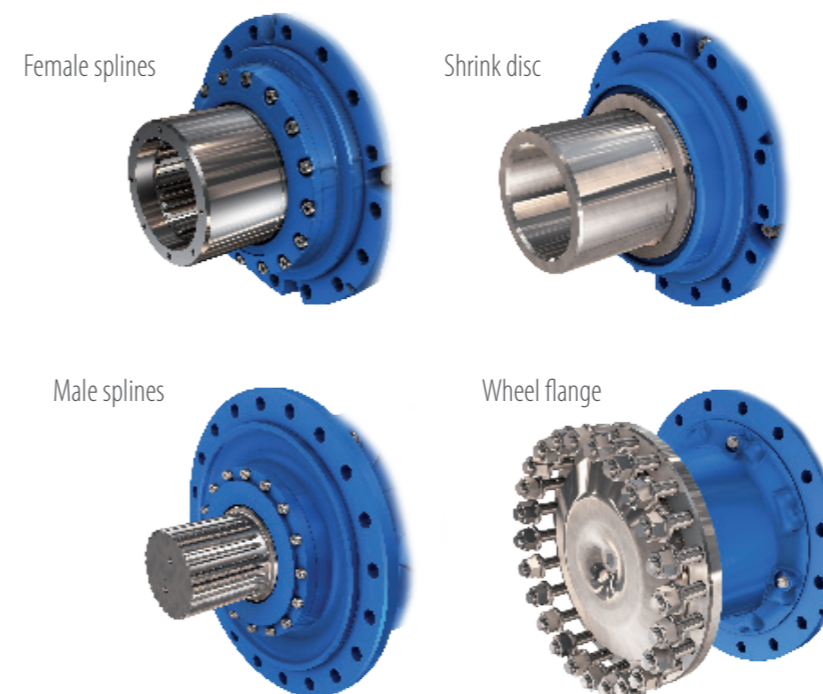
	Displacement cm ³ /rev [cu.in/rev]		Max. Speed RPM	
	Full displacement	Reduced displacement	Full displacement ⁽¹⁾	Reduced displacement
MS83 High Flow	6 679 [407.4]	3 340 [203.8]	200	145
	8 328 [508.2]	4 164 [254.1]	160	125
	10 019 [611.4]	5 010 [305.7]	130	100
MS125 High Flow	10 000 [610.2]	5 000 [305.1]	130	105
	12 500 [762.8]	6 250 [381.4]	105	85
	15 000 [915.3]	7 500 [457.7]	85	70

(1) Speed obtained with dedicated single displacement cover

In order to achieve optimized performance on your machine, you need to pay attention to every components installed and make sure they will contribute positively to these performance. This is why the MS83 & MS125 HighFlow have been designed to provide superior torque (displacement up to 72,000 N.m) and speed (design with 4 hydraulic ports) even on heavy duty applications, ensuring high machine productivity and end-users satisfaction.

High Speed & High torque

Modularity

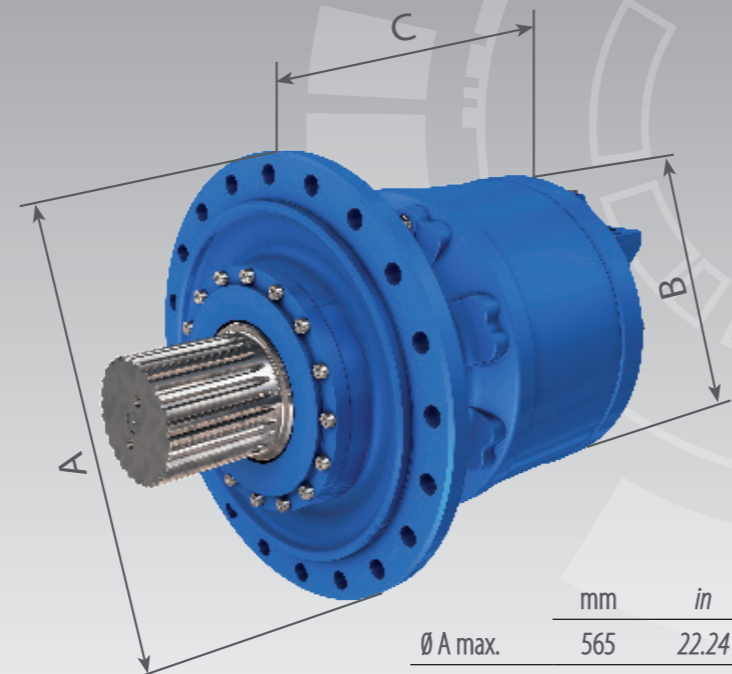


MS83 and MS125 HighFlow have adopted one of Poclain Hydraulics design trademark when it comes to motor design, that is high modularity. Available with various output shaft designs (splines, shrink discs, wheel end,..) or able to receive flanged valve on their flat hydraulic connection, the MS83 and MS125 HighFlow can then fit to your machine constraints without requiring any compromise.

Flexible design & Easy to install

Compactness

The new MS83 & MS125 HighFlow have been designed to address dimensional constraints, which have become an important market driver for machine manufacturers. The motors limited external envelope (especially its diameter) make the integration of these hydraulic motors into existing or new machine design easier, reducing development time and efforts.



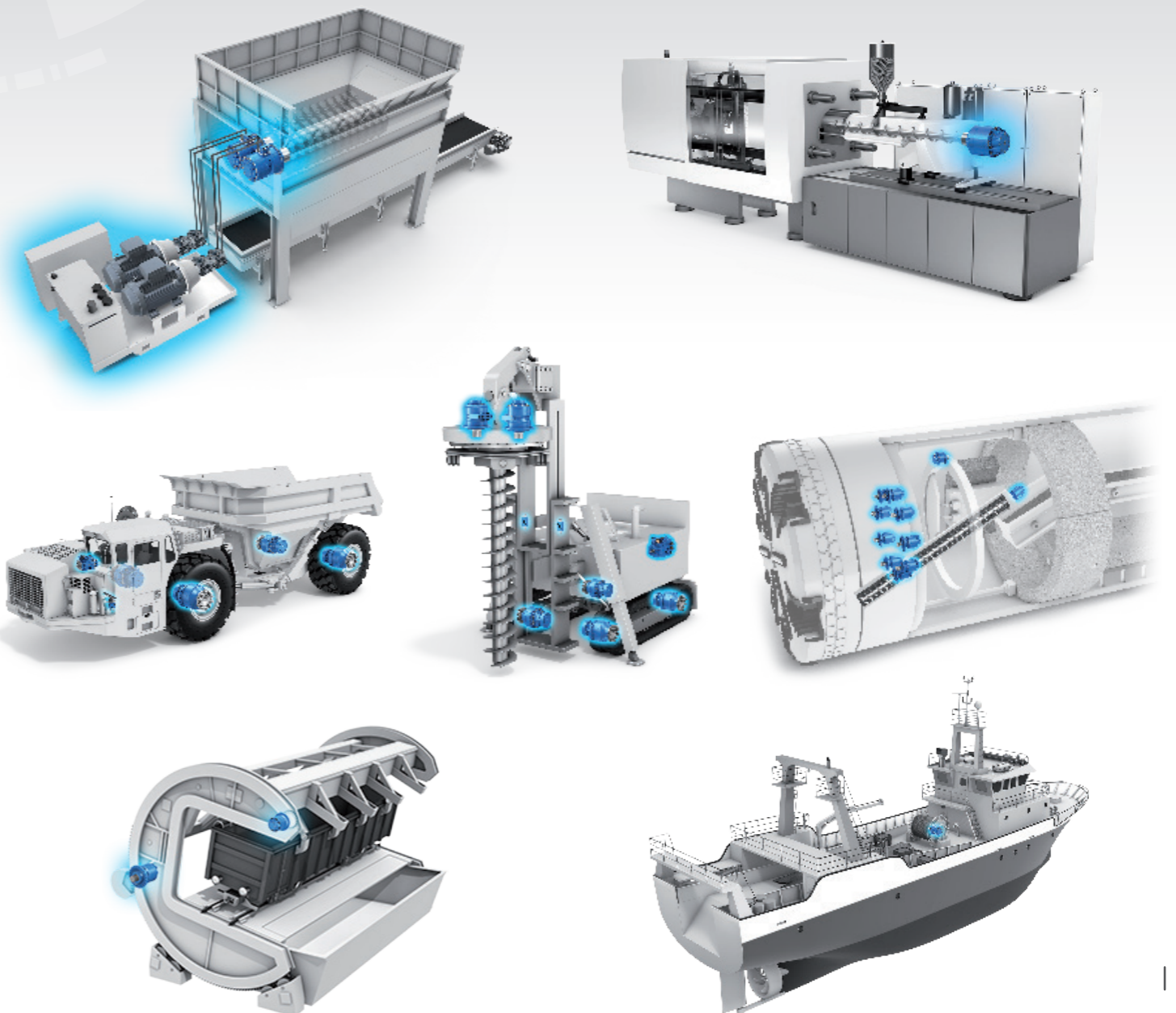
	mm	in
∅ A max.	565	22.24
∅ B	450	17.72
C max.	592	23.31

Poclain Hydraulics specialises in the design, manufacture and marketing of hydrostatic transmissions

Our success is based on a wide range of products, our high quality standards and a strong culture of innovation

Hydraulic Systems for Heavy Duty Applications

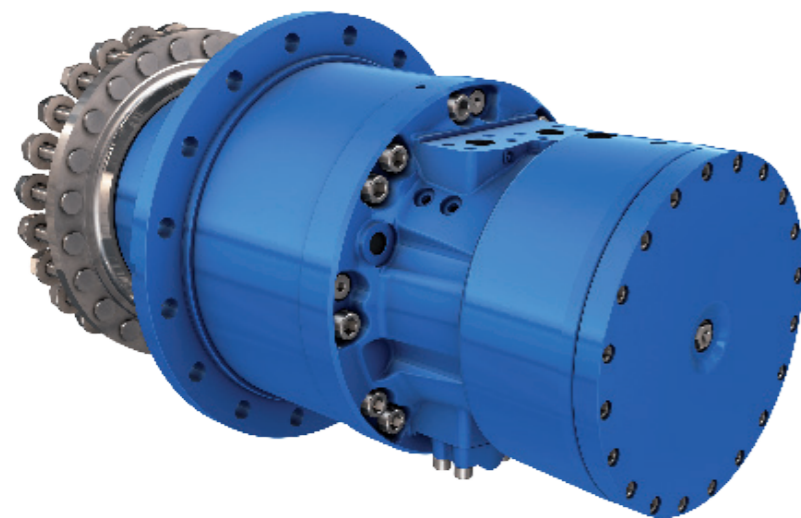
Optimized dimensions



T80 Brake

Poclain Hydraulics has developed a new high holding power brake named T80, with a braking torque corresponding to maximum motor output torque. This brake has been developed to complete the new MS83 & MS125 HighFlow offer and make it suitable for any application requiring reliable parking or emergency brake solution.

72 kN.m
brake torque



- Plant
- Logistic center
- Sales subsidiary
- ★ R&D center



- > 10 plants on 3 continents
- > More than 20 subsidiaries and remote offices
- > Over 150 distributors around the world
- > 2,000 people worldwide

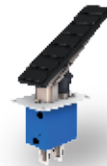
www.poclain-hydraulics.com



Motors



Pumps



Valves



Electronics

