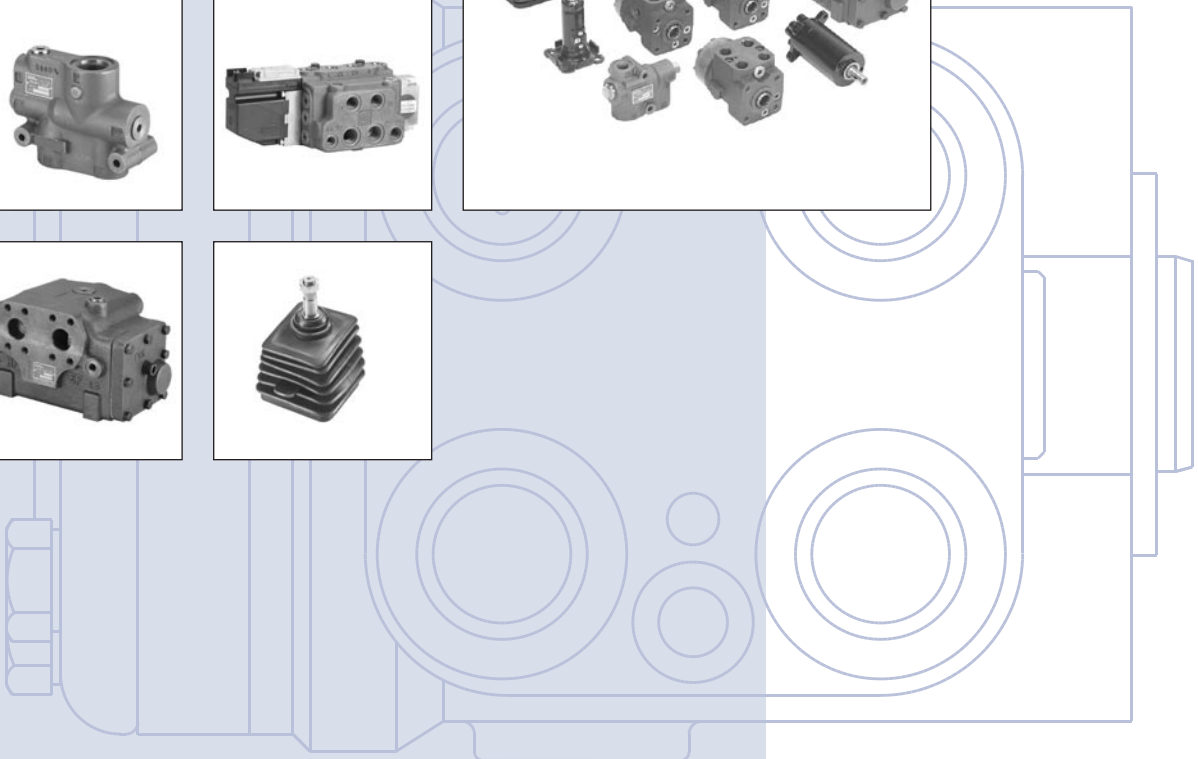




General, Steering Components

Technical Information



**A WIDE RANGE OF
 STEERING COMPONENTS**



F300599.tif

Sauer-Danfoss is the largest producer in the world of steering components for hydrostatic steering systems on off-road vehicles. Sauer-Danfoss offer steering solutions both at component and system levels. Our product range makes it possible to cover applications of all types - ranging from ordinary 2-wheel steering (also known as Ackermann steering) to articulated steering, complicated 4-wheel steering, automatic steering (e.g. by sensor) and remote controlled steering via satellite. We can offer more than 1000 different steering units, 150 different priority valves and 300 different steering columns categorised in types, variants and sizes.

For hydrostatic steering systems Sauer-Danfoss offers:

- Mini steering units with displacements from 32 to 100 cm³/rev. [1.95 to 6.10 in³/rev], flow up to 20 l/min [5.28 US gal/min], steering pressure up to 125 bar [1812 psi].
- Steering units with displacements from 40 to 1000 cm³/rev. [2.44 to 61.0 in³/rev] , flow up to 100 l/min [26.4 US gal/min], steering pressure up to 210 bar [3045 psi].
- Priority valves for rated flows at 40, 80, 120 and 160 l/min [10.6, 21.1, 31,7 and 42.2 US gal/min], pressure up to 350 bar (5076 psi)
- Pilot operated flow-amplifiers with amplification factors of 4, 5, 8,10 or 20 for rated oil flows of 240 and 400 l/min [63.4 and 106 US gal/min), steering pressure up to 210 bar (3045 psi).
- Pilot operated steering valve with steering flow up to 100 l/min [26.4 US gal/min] steering pressure up to 250 bar (3625 psi) and with integrated priority valve for pump flow up to 150 l/min [39.6 Us gal/min]

© 2001, Sauer-Danfoss

Sauer-Danfoss can accept no responsibility for possible errors in catalogues, brochures and other printed or electronic material. Sauer-Danfoss reserves the right to alter its products without prior notice. This also applies to products already ordered provided that such alterations can be made without subsequent changes being necessary in specifications already agreed. All trademarks in this material are properties of the respective companies. Sauer-Danfoss and the Sauer-Danfoss logotype are trademarks of the Sauer-Danfoss Group. All rights reserved.

Frontpage:
 Photos: F 300616.tif, F300618.tif, F300612.tif, F300620.tif, F300611.tif, F300607.tif, F300630.tif, F300631.tif, F300600.tif
 Drawing: 150 - 577.ai

A WIDE RANGE OF STEERING COMPONENT (CONTINUED)

For electro-hydraulic steering systems Sauer-Danfoss offers:

- Pilot operated steering valve (pilot operated by hydrostatic steering unit or by electrical signal) with steering flow up to 100 l/min [26.4 US gal/min], steering pressure up to 250 bar [3625 psi] and with integrated priority valve for pump flow up to 150 l/min [39.6 US gal/min].

For hydromechanical steering systems Sauer-Danfoss offers:

- Torque amplifiers for output torques of 80 and 120 Nm [708 and 1062 lbf·in]

For steering units and torque amplifiers Sauer-Danfoss offers:

- Steering columns: fixed, tiltable and/or telescopic with or without horn switch and sensor for start/stop of pump, with length from 45 to 1200 mm [1.77 to 47.3 inch].

Characteristic features of steering units:

- Low steering torque: From 0.5 Nm to 3.0 Nm [4.43 to 26.6 lbf·in] in normal steering situations
- Low noise level
- Low pressure drop
- Many types available: Open center None reaction, Open center Reaction, Closed center None reaction, Load Sensing, Load Sensing Reaction, Power Beyond.
- One or more built-in valve functions: relief valve, shock and suction valves in L- and R-line, non return valve in P-line and in LS-line
- Optional port connections (according to ISO, SAE or DIN standards)

Characteristic features for electro-hydraulic steering system:

- High steering pressure requiring smaller cylinders and flow
- Low noise emission in the cab because of low pilot pressure
- The possibility of emergency steering even on very heavy vehicles
- Minimization of side acceleration with articulated steering
- With micro controller: No steering wheel drift and the possibility of variable steering ratio
- Analogue and CAN-bus interface
- Electrohydraulic steering valve EHPS can be combined with Sauer-Danfoss PVG 32 proportional valve
- The system is approved by TÜV and have a controller with safety critical steering software

CONVERSION FACTORS

1 Nm	=	[8.851 lbf·in]	1 cm ³	=	[0.061 in ³]
1 N	=	[0.2248 lbf]	1 l	=	[0.264 US gal]
1 bar	=	[14.50 psi]	°F	=	[1.8 °C + 32]
1 mm	=	[0.0394 in]			

**CONTENTS AND
 TECHNICAL LITERATURE
 SURVEY**

Steering concepts6
 Hydrostatic steering systems, open center and load sensing6
 Hydromechanical steering system7
 Electro-hydraulic steering system8

Steering components, general9

Steering components, product overview 13

Steering components, main data and features 14
 OSPM mini-steering units 14
 OSPB, OSPC, OSPR, OSPD open center steering units 14
 OSPB closed center steering units 16
 TAD torque amplifier 16
 OSPB, OSPC, OSPF, OSPR, OSPD, OSPQ, OSPL, load sensing steering units 17
 OLS priority valves 19
 OSQ flow amplifier 20
 EHPS pilot operated steering valves 21
 OVP, OVPL and OVR valve blocks 23
 OTP steering columns 24

Hydrostatic steering systems 25
 Open center steering system 25
 Load sensing steering systems 25

Choice of steering concept and components 27
 Legislation of steering systems 27

General information 28
 Technical data, common 28
 Manual steering pressure 28
 Calculation of steering systems 29
 Oil types 34
 Particle content, degree of contamination and filtering 35
 Installation 35
 Tightening torques 36
 Starting up and running in 36
 Maintenance 36

Examples of steering systems 37
 OSPC 37
 OSPC, OSPF 37
 OSPD, OSPQ 39
 OSQ 40
 OSQB/OLSQ 42
 EHPS 43
 Load sensing system 45

**SURVEY OF LITERATURE
 WITH TECHNICAL DATA
 ON SAUER-DANFOSS
 STEERING COMPONENTS**

Detailed data on all Sauer-Danfoss steering components and accessories can be found in our steering component catalogues, which is divided in 6 individual subcatalogues:

- General information Steering components
DKMH.PK.200.A1.02 **520L0468**

- Technical data on mini steering units and steering columns for mini steering units: OSPM and OTPM
DKMH.PN.210.PC.02 **520L0438**

- Technical data on open center, closed center steering units and torque amplifiers: OSPB, OSPC, OSPR, OSPD and TAD
DKMH.PK.210.A1.02 **520L0502**

- Technical data on load sensing steering units, priority valves and flow-amplifiers: OSPB, OSPC, OSPF, OSPD, OSPQ,
OSPL, OSPBX, OSPLX, OLS and OSQ
DKMH.PN.210.B1.02 **520L0520**

- Technical data on hydraulic and electro-hydraulic pilot operated steering valve, appropriate steering units, electrical actuation module as well as on sensors for electro-hydraulic steering systems EHPS and OSPCX
PVE and PVED for EHPS and sensors
for steering systems with EHPS
DKMH.PN.270.B1.02 **520L0521**

- Technical data on valve blocks and steering columns OVP, OVPL, OVR and OTPB
DKMH.PN.230.A1.02 **520L0522**

The most important data on all Sauer-Danfoss steering components is highlighted in a general survey brochure.
 For technical informations on individual variants, please contact the Sauer-Danfoss Sales Organisation.

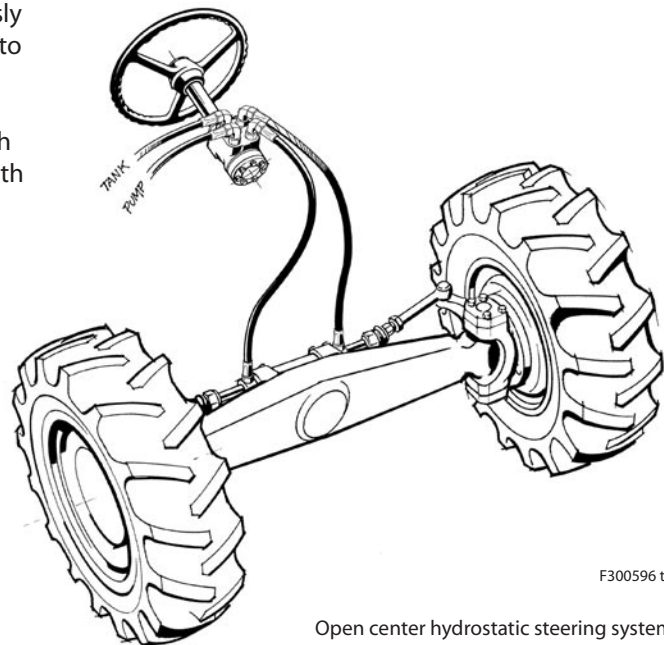
HYDROSTATIC STEERING

Sauer-Danfoss steering components are used in vehicles where the driver has to control high steering forces, reliably, comfortably and with maximum safety.

Steering units OSPM/OSPB/OSPC/OSPF/OSPR/OSPD/OSPQ/OSPL.

The operation of Sauer-Danfoss steering units OSP- is hydrostatic. That is to say, there is no mechanical connection between the steering column and the steered wheels. Instead there are hydraulic pipes and hoses between steering unit and steering cylinder(s). When the steering wheel is turned, the steering unit meters out an oil volume proportional to the rate of rotation of the steering wheel. This volume is directed to the appropriate side of the steering cylinder, while simultaneously the displaced oil is directed to tank.

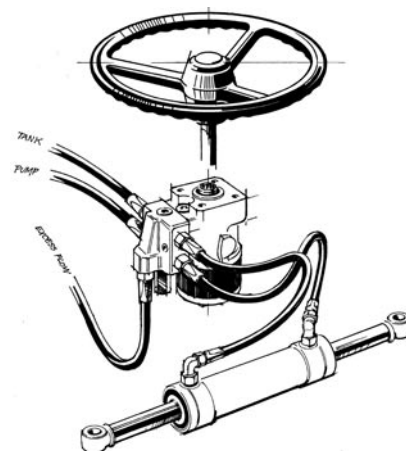
In open center systems the steering unit is supplied with oil from a separate pump with fixed displacement.



F300596.tif

Open center hydrostatic steering system

In load sensing (LS) systems one pump can supply oil to steering system and to working hydraulics. A priority valve ensures that steering always has first priority.



F300456.tif

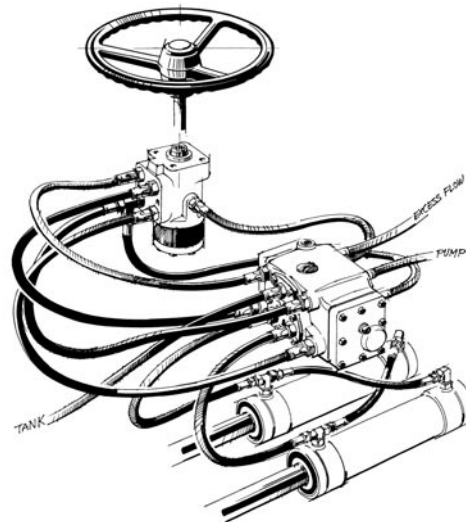
Load sensing hydrostatic steering system

HYDROSTATIC STEERING

Flow-amplifiers OSQA/OSQB

In large vehicles and ships the steering units can be used with Sauer-Danfoss Flow-amplifiers which amplify the oil flow to the steering cylinders. These systems with steering units and flow-amplifiers also include an inbuilt priority valve which ensures that the steering takes priority.

When the steering wheel is turned, the oil flow is divided in the flow-amplifier in such a way as to ensure that the necessary oil flow is led to the steering system. The rest of the oil flow is available for the working hydraulics.



F30595.tif

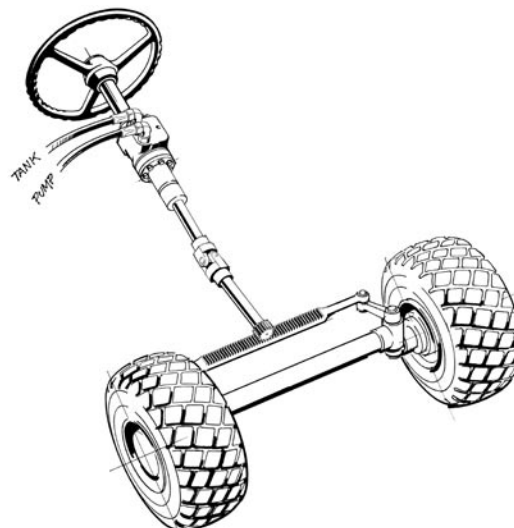
Load sensing hydrostatic steering system with flow amplifier

HYDROMECHANICAL STEERING SYSTEM

Torque amplifier TAD

The operation of Sauer-Danfoss torque amplifiers TAD is hydromechanical. This means that there is a mechanical connection between steering wheel and steered wheels. When the steering wheel is turned, the output shaft turns in the same direction. The transmission ratio is 1:1.

If the oil supply fails, the torque amplifier operates manually.



F300592.tif

Hydromechanical steering system

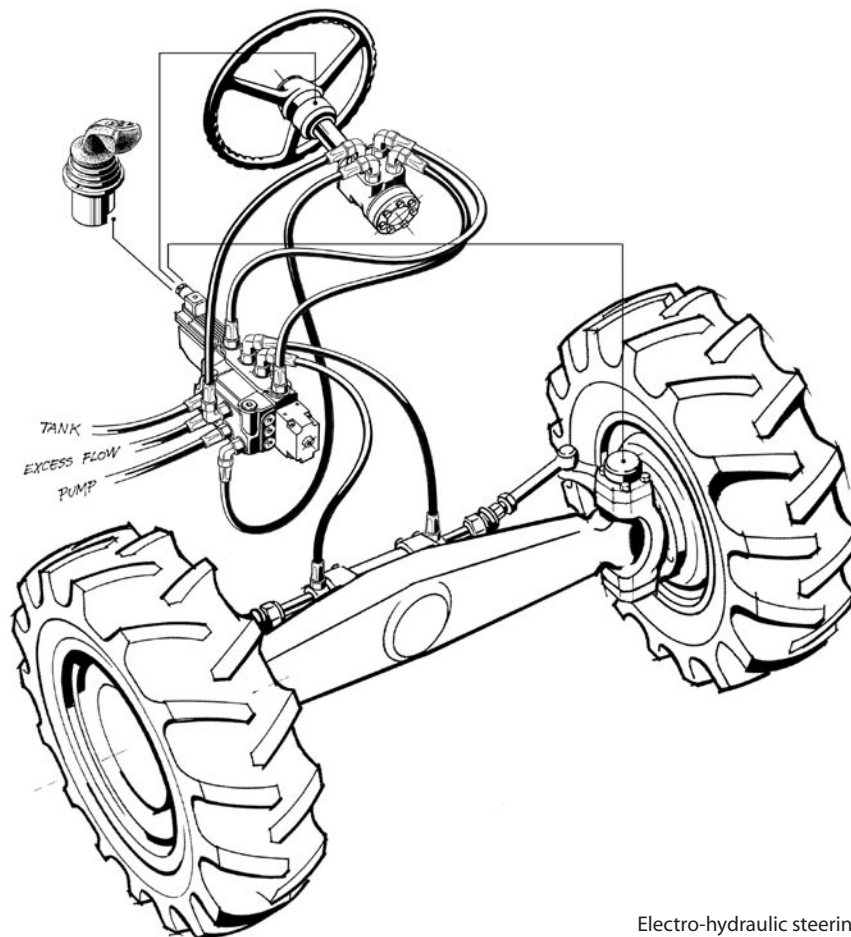
**ELECTRO-HYDRAULIC
STEERING SYSTEM****Electro-hydraulic steering**

On loaders, large forklift trucks, dumpers, heavy tractors, combine harvesters, maize harvesters and other similar machines there is often need for electrically actuated steering either in the form of a joystick, or fully automatic.

For this purpose Sauer-Danfoss has developed a pilot operated steering valve, EHPS: Electro Hydraulic Power Steering.

A basic system (type 0) consists of a pilot steering unit as the signal source and an EHP valve block which controls oil flow to the steering cylinders proportional to the pilot flow. The system can be extended to include an electrical actuator so that, as an alternative, it becomes possible to steer with a joystick (EHPS type 1).

In addition, the valve block can be supplied with built-in micro controller and safety critical steering software (EHPS type 2). A steering system with EHPS type 2 means no steering wheel drift and possibility of variable steering ratio.

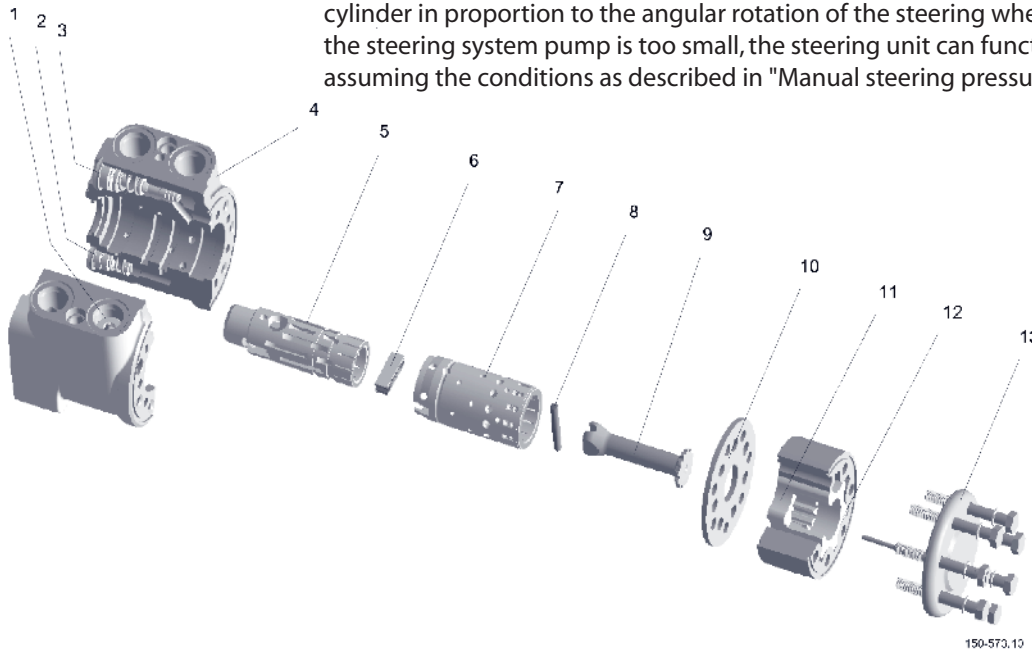


F300597.tif

Electro-hydraulic steering system

**STEERING UNITS:
 OSPM, OSPB, OSPC,
 OSPR, OSPF, AND OSPL**

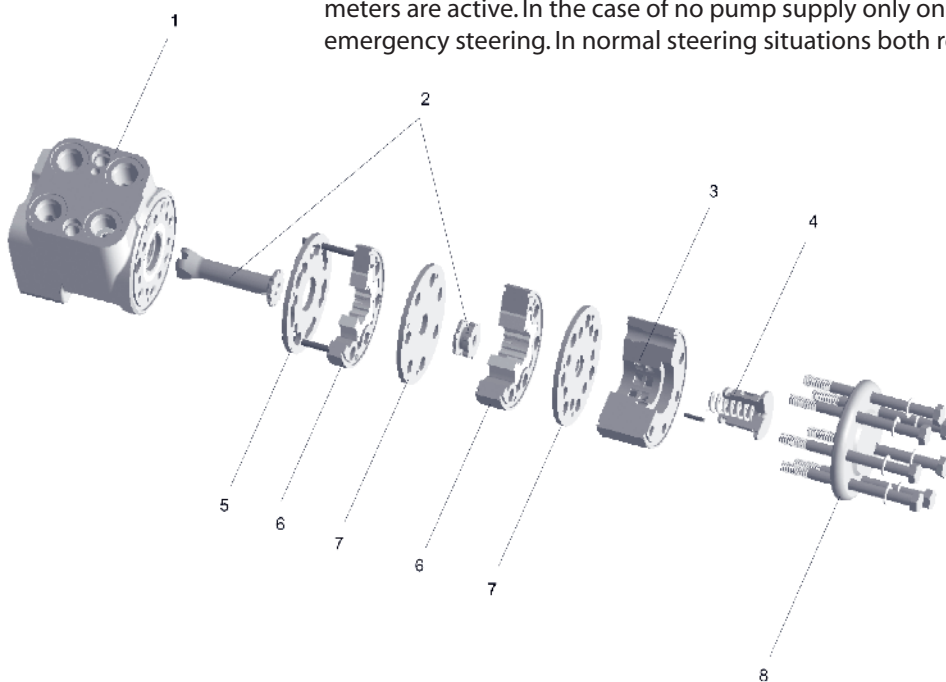
The steering unit consists of a rotary valve and a rotary meter. Via a steering column the steering unit is connected to the steering wheel of the vehicle. When the steering wheel is turned, oil is directed from the steering system pump via the rotary valve (spool and sleeve) and rotary meter (gear wheel set) to the cylinder ports L or R, depending on the direction of turn. The rotary meter meters the oil flow to the steering cylinder in proportion to the angular rotation of the steering wheel. If the oil flow from the steering system pump is too small, the steering unit can function as a manual pump - assuming the conditions as described in "Manual steering pressure" on page 28.



1. Check valve
2. Shock valve
3. Relief valve
4. Housing with anticavitation valves
5. Spool
6. Neutral position spring
7. Sleeve
8. Cross pin
9. Cardan shaft
10. Distributor plate
11. Gear wheel
12. Gear rim
13. End cover

**STEERING UNIT WITH 2
 ROTARY METERS: OSPD**

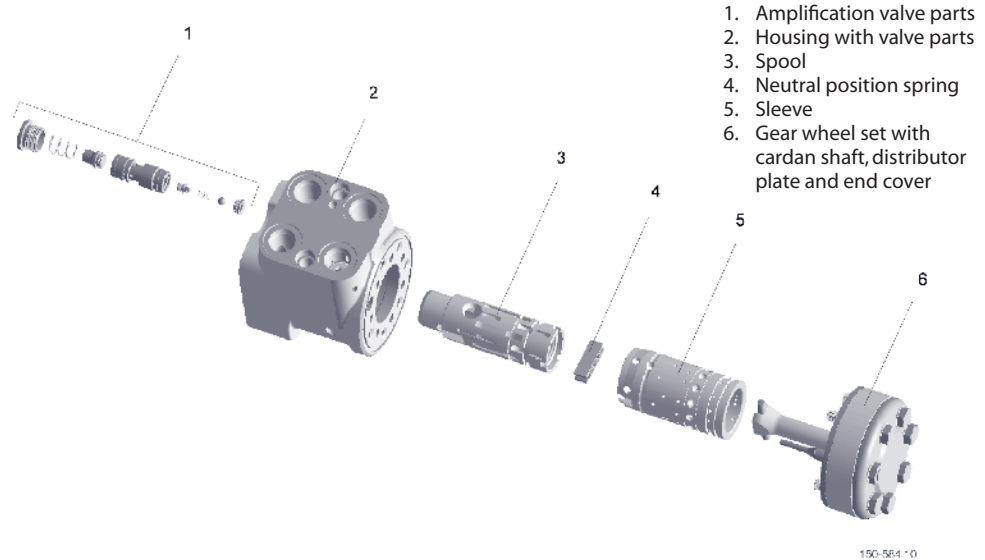
The basic function of this type is like the main group of Sauer-Danfoss steering units, except the gearwheel set (rotary meter). OSPD has 2 rotary meters, which are mechanically connected. A shift valve determines whether only one or both rotary meters are active. In the case of no pump supply only one rotary meter is active for emergency steering. In normal steering situations both rotary meters are active.



1. Housing with spool/sleeve set and valves
2. Cardan shafts
3. Housing for shift valve
4. Shift valve
5. Distributor plate
6. Gear wheel sets
7. Intermediate plates
8. End cover

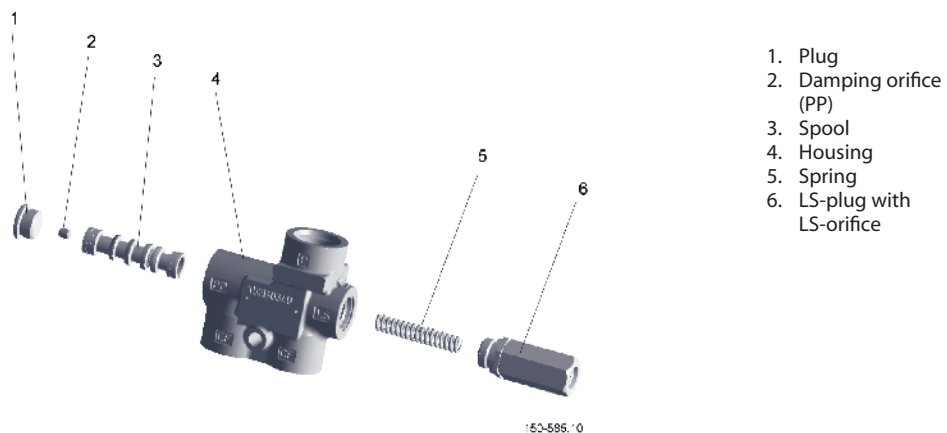
**STEERING UNIT WITH
 AMPLIFIER VALVE:
 OSPQ**

The basic function of this type is like the main group of Sauer-Danfoss steering units, except the rotary valve and an amplification valve. OSPQ has an amplification valve, which adds flow to the oil passing through the rotary meter. In the case of no pump supply (emergency steering) and at steering wheel speed less than about 10 rev/min only the rotary meter is active. In normal steering situation at steering with higher steering wheel speeds, oil is also led to the steering cylinder via the built-in amplification valve.



**PRIORITY VALVES:
 OLSA AND OLS**

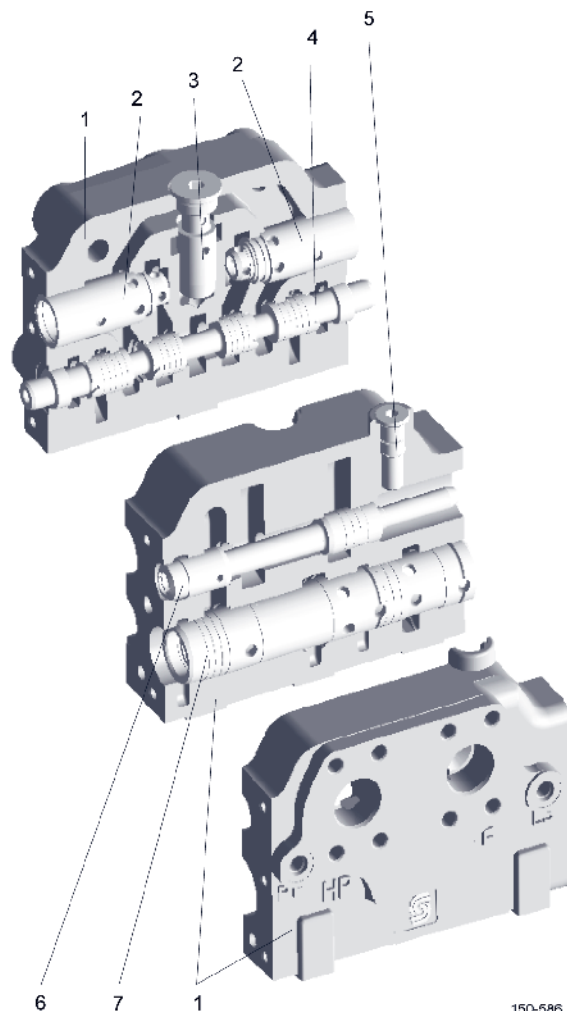
In systems with Sauer-Danfoss priority valves and load sensing steering units, steering has first priority. When the steering wheel is turned, the oil flow is distributed in the priority valve in such a way that the oil flow necessary for steering is led to the steering unit through the CF (controlled flow) connection. The remaining oil flow is available for the working hydraulics through the EF (excess flow) connection. The distribution is controlled by the LS signal from the steering unit, so that the oil flow to the steering unit is always determined by the actual steering rate.



**FLOW-AMPLIFIERS:
 OSQA AND OSQB**

The flow-amplifiers OSQA and OSQB contain a directional valve, an amplification valve, a priority valve, a pilot pressure relief valve, shock and suction valves.
 In addition OSQB contains a back pressure valve. The flow-amplifier amplifies the oil flow from the steering unit cylinder ports L or R by an amplification factor of 4, 5, 8, 10 or 20. The amplified oil flow is directed from the flow-amplifier ports CL or CR to the steering cylinder(s). The amplified flow is proportional to the rate of the steering wheel rotation. If the oil flow from the pump fails, the flow-amplifier cuts off the amplification and manual steering through the steering unit is possible under the same conditions as those mentioned in the section: Manual steering pressure, page 28.
 The pressure drop through the flow-amplifier at manual steering is about 5 bar [72.5 psi].

1. Housing
2. Shock and suction valves
3. Back pressure valve
4. Directional spool
5. Pilot pressure relief valve
6. Priority valve
7. Amplification valve



150-586.10

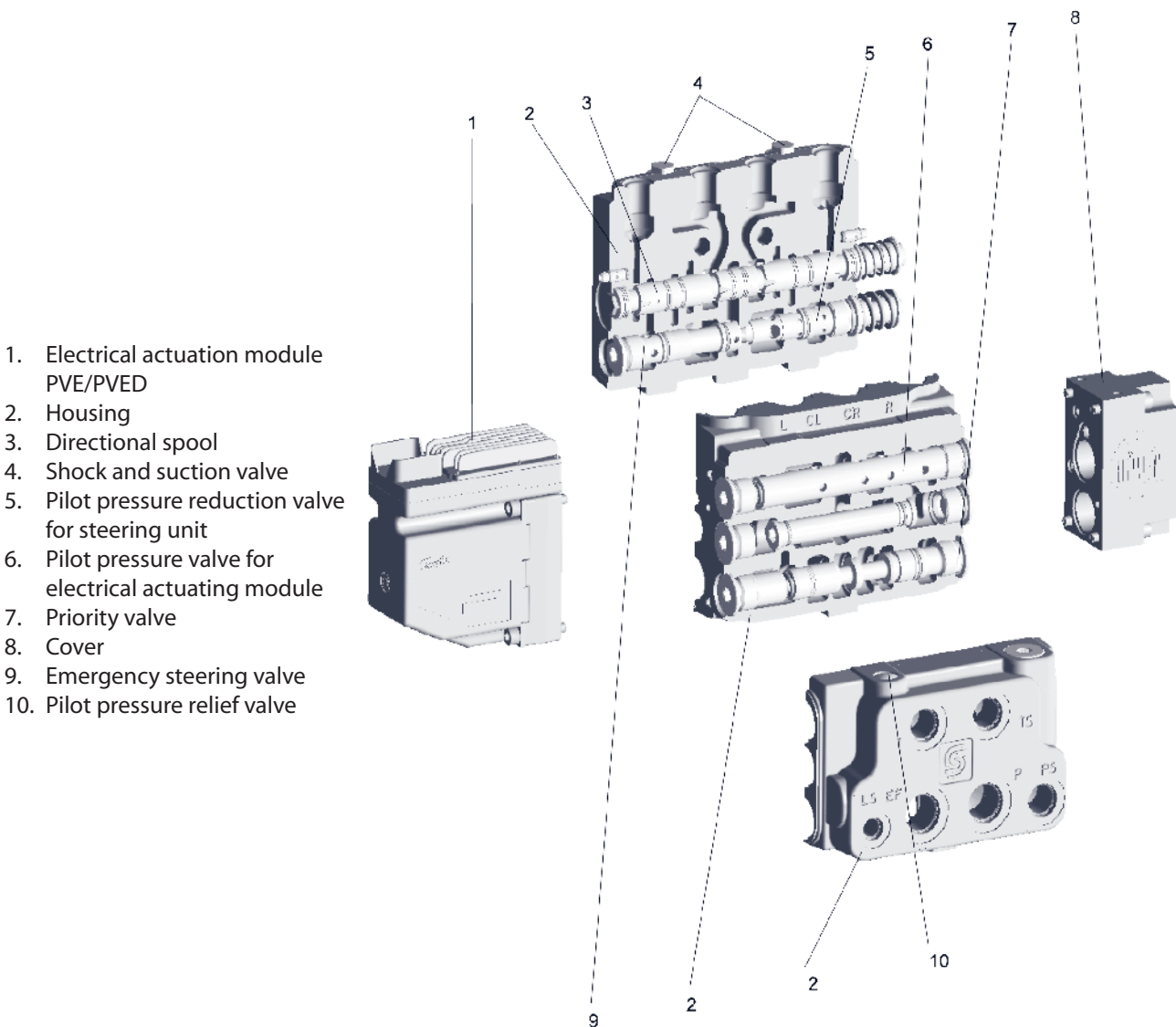
STEERING VALVE EHPS

The EHPS is a pilot operated directional valve. Oil from a pilot steering unit or an electrical signal can actuate the steering valve.

Basically the EHPS valve contains a directional valve, a priority valve, a pilot relief valve, a pilot pressure control valve, and shock- and suction valves.

An electric actuation module, PVE, can be fitted onto the EHPS valve. In the type 1 system the controller is operated by an analog signal and the type 2 system the signal is digital with Canbus interface and it comprises a micro processor with safety critical steering software.

The pilot for the directional valve in EHPS can be supplied either by the flow from steering unit (cylinder port L or R), or by the flow from the electric actuation module PVE/PVED.



150-567.10

OSPM

For light vehicles such as garden tractors, municipal vehicles, lawn mowers, small fork lift trucks, etc., Sauer-Danfoss offers OSPM hydrostatic steering units.



F300016.tif

The OSPM mini-steering unit is available in two versions:

- Open center Non-reaction (ON)
- Power Beyond (PB), where surplus oil can be led to working hydraulics.

Main data of OSPM

- Displacement: 32 - 100 cm³/rev [1.95 - 6.10 in³/rev]
- Flow, recommended: 3 - 20 l/min [0.79 - 5.28 US gal/min]
- Max. steering pressure: 125 bar [1812 psi]
- Max. back pressure (T): 20 bar [290 psi]

Features of OSPM:

- Small dimensions and low weight
- Low steering torque 0.5 to 1.5 Nm [4.43 to 13.28 lbf·in]
- One or more built-in valve functions: pressure relief, shock in L + R (servo ports Left and Right) and / or non return in P (Pump connection)
- End ports with integrated fittings (ORFS): O-ring face seal
- Possibility of integrated steering column

OSPB, OSPC, OSPR, OSPD OPEN CENTER STEERING UNITS

For small to large vehicles typically tractors, harvesters, fork lifts, contractors machines and special vehicles, etc., Sauer Danfoss offers a wide range of hydrostatic steering units. For open circuit systems, where a separate fixed displacement pump is supplying the steering system with oil the following types of Sauer-Danfoss steering units are suitable: OSPB, OSPC, OSPR and OSPD

OSPB ON

The OSPB Open center steering unit is available in one version:

- Open center Non-reaction (ON)

Main data of OSPB ON:

- Displacement : 50 - 500 cm³/rev [3.05 - 30.5 in³/rev]
- Flow, recommended: 5 - 70 l/min [1.32 - 18.5 US gal/min]
- Max. steering pressure: 210 bar [3045psi]
- Max. back pressure: 40 bar [580 psi]




F300619.tif

OSPC ON/OR

The OSPC Open center steering unit is available in two versions:

- Open center Non-reaction (ON)
- Open center Reaction (OR)

Main data of OSPC ON:

- Displacement : 40 - 500 cm³/rev [2.44 - 30.51 in³/rev]
- Flow, recommended: 4 - 70 l/min [1.06 - 18.49 US gal/min]
- Max. steering pressure:  [3045psi]
- Max. back pressure: 40 bar [580 psi]

Main data of OSPC OR:

- Displacement : 40 - 200 cm³/rev [2.44 - 12.21 in³/rev]
- Flow, recommended: 4 - 50 l/min [1.06 - 13.21 US gal/min]
- Max. steering pressure: 210 bar [3045 psi]

Features of OSPB and OSPC Open center steering units:

- Low steering torque 0.8 to 3.0 Nm [7.08 to 26.6 lbf·in] in normal steering situations due to low effort springs and wide control range.
- Low noise due to laminar flow conditions throughout profile-grinded passages.
- OSPC: one or several built in valve functions: pressure relief, shock in L + R, suction in L + R and / or non-return in P.



F300618.tif

OSPR ON/OR

The OSPR Open center steering unit is available in two version:

- Open center Non-reaction (ON) version
- Open center Reaction (OR) version

Main data of OSPR ON and OSPR OR:

- Displacement : 70 - 200 cm³/rev [4.27 - 12.21 in³/rev]
- Flow, recommended: 5 - 30 l/min [1.32 - 7.93 US gal/min]
- Max. steering pressure: 175 bar [2538 psi]
- Max. back pressure: 20 bar [290 psi]

Features of OSPR Open center steering units:

- Low steering torque in normal steering situations
- Low noise
- One or several built in valve functions: pressure relief, shock in L + R, suction in L + R and / or non-return in P
- End ports with integrated fittings (ORFS)



F300621.tif

OSPD ON/OR

The OSPD Open center steering unit is available in two version:

- Open center Non-reaction (ON) version
- Open center Reaction (OR) version

Main data of OSPD ON:

- Displacement :
 - From 60 cm³/rev to max 125 cm³/rev [3.66 to max. 7.63 in³/rev] during manual steering without pump oil supply and with one rotary meter active.
 - From 185 cm³/rev up to 440 cm³/rev [11.3 up to 26.9 in³/rev] at full oil supply and with both rotary meters active.
- Flow, recommended: 19 - 70 l/min [5.02 - 18.49 US gal/min]
- Max. steering pressure: 210 bar [3045 psi]
- Max. back pressure: 40 bar [580 psi]



F300613.tif

Main data of OSPD OR

- Displacement:
 - 60 cm³/rev or 70 cm³/rev [3.66 in³ or 4.27 in³/rev] during manual steering
 - From 185 cm³/rev up to 220 cm³/rev [11.28 up to 13.42 in³/rev] at full oil supply
- Flow recommended: 12 - 50 l/min [3.17 - 13.21 US gal/min]
- Max. steering pressure: 210 bar [3045 psi]
- Max. back pressure: 40 bar [580 psi]

Features of OSPD Open center steering units:

- Features like OSPC Open center steering units plus:
 - Possibility of manual steering of heaviest vehicles, without the need for an emergency pump.

OSPB CLOSED CENTER STEERING UNITS OSPB CN

For constant-pressure systems with variable pump flow Sauer-Danfoss offers the steering unit types: OSPB CN

The OSPB closed center steering unit is available in one version:

- Closed center Non-reaction (CN)

Main data of OSPB CN:

- Displacement: 50 - 400 cm³/rev [3.05 - 24.4 in³/rev]
- Flow: 5 - 50 l/min [1.32 - 13.20 US gal/min]
- Max. steering pressure: 175 bar [2538 psi]
- Max. back pressure: 40 bar [580 psi]



F300619.tif

TAD TORQUE AMPLIFIER

For hydromechanical steering systems Sauer Danfoss offers the torque amplifier type: TAD. The TAD is used for smaller vehicles, where a mechanical connection between steering wheel and steered wheels are required.

Main data of TAD:

- Displacement: 100 - 160 cm³/rev [6.10-9.76 in³/rev]
- Flow: 10 - 16 l/min [2.64 - 4.23 US gal/min]



F300616.tif

OSPB,OSPC,OSPF,OSPR,OSPD,OSPQ,OSPL,LOAD SENSING STEERING UNITS

For small to large vehicles typically tractors, harvesters, fork lifts, contractors machines and special vehicles, etc., Sauer Danfoss also offers a wide range of hydrostatic steering units of the Load Sensing (LS) types: OSPB, OSPC,OSPF,OSPD and OSPQ. LS steering units are for Load Sensing systems, where oil is supplied by a pump via a priority valve or from a pump with variable displacement.

OSPB LS AND OSPC LS/LSR

The OSPB and OSPC Load Sensing steering unit is available in three versions:

- Load Sensing non-reaction (LS) static
- Load Sensing non-reaction (LS) dynamic
- Load Sensing Reaction (LSR) dynamic (only OSPC)



F300617.tif

Main data of OSPB LS and OSPC LS:

- Displacement: 40 - 400 cm³/rev [2.44 - 24.4 in³/rev]
- Flow: 4 - 40 l/min [1.06 - 10.57 US gal/min]
- Max. steering pressure: up to 210 bar [3045 psi]
- Max. back pressure: 40 bar [580 psi]

Main data of OSPC LSR:

- Displacement: 40 - 200 cm³/rev [2.44 - 12.20 in³/rev]
- Flow: 4 - 20 l/min [1.06 - 5.28 US gal/min]
- Max. steering pressure: 210 bar [3045 psi]
- Max. back pressure: 40 bar [580 psi]

Features of OSPB and OSPC Load Sensing steering units:

- Low steering torque 0.8 to 3.0 Nm [7.08 to 26.55 lbf·in] in normal steering situations
- Low noise
- OSPC: one or several built in valve functions: pilot pressure relief, shock in L + R, suction in L + R and/or non-return in P. OSPC LS/LSR Dynamic: non-return valve in LS-connection.

OSPF LS

The OSPF Load Sensing steering unit is available in one version:

- Full drain Load Sensing non-reaction (LS) dynamic



F300617.tif

Main data of OSPF LS:

- Displacement: 80 - 400 cm³/rev [4.88 - 24.4 in³/rev]
- Flow: 8 - 40 l/min [2.11 - 10.57 US gal/min]
- Max. steering pressure: 210 bar [3045 psi]
- Max. back pressure: 40 bar [580 psi]

Features of OSPF Load Sensing steering units:

- Low steering torque 0.5 to 1.8 Nm [4.43 to 15.93 lbf·in] in normal steering situations
- Low noise and wide control range
- Higher max. steering speed, limited only by the capacity of the pump and the pressure setting
- One or several built in valve functions: pilot pressure relief, shock in L + R, suction in L + R and / or non-return in P.

OSPD LS/LSR

The OSPD Load Sensing steering unit is available in two versions:

- Load Sensing non-reaction (LS) dynamic
- Load Sensing Reaction (LSR) dynamic

Main data of OSPD LS:

- Displacement :
 - From 60 cm³/rev to max 125 cm³/rev [3.66 to max. 7.63 in³/rev] during manual steering without oil supply and with one rotary meter active.
 - From 185 cm³/rev up to 440 cm³/rev [11.28 up to 26.9 in³/rev] at full oil supply and with both rotary meters active.
- Flow: 19 - 44 l/min [5.02 - 11.62 US gal/min]
- Max. steering pressure: 210 bar [3045 psi]
- Max. back pressure: 40 bar [580 psi]



F300612.tif

Features of OSPD Load Sensing steering units:

- Features like OSPC LS plus :
 - Possibility of manual steering of heaviest vehicles, without the need for an emergency pump.

Main data of OSPD LSR:

- Displacement :
 - From 60 cm³/rev or 70 cm³/rev [3.66 or 4.27 in³/rev] during manual steering
 - From 185 cm³/rev to 220 cm³/rev [11.28 to 13.42 in³/rev] at full oil supply
- Flow: 19 - 22 l/min [5.02 - 5.81 US gal/min]
- Max. steering pressure: 210 bar [3045 psi]
- Max. back pressure: 40 bar [580 psi]

OSPQ LS/LSR

The OSPQ Load Sensing steering unit is available in two versions:

- Load Sensing non-reaction (LS) dynamic
- Load Sensing Reaction (LSR) dynamic

Main data of OSPQ LS:

- Displacement :
 - From 80 cm³/rev to 160 cm³/rev [4.88 to 9.76 in³/rev] during manual steering without pump oil supply and in normal steering situations at steering wheel speed less than about 10 rev/min.
 - From 100 cm³/rev to 320 cm³/rev [6.10 to 19.53 in³/rev] at full oil supply and with steering wheel speed above 20 rev/min.
- Flow: 8 - 32 l/min [2.11 - 8.45 US gal/min]
- Max. steering pressure: 210 bar [3045 psi]
- Max. back pressure: 40 bar [580 psi]



F300615.tif

Main data of OSPQ LSR:

- Displacement :
 - From 80 cm³/rev to 160 cm³/rev [4.88 to 9.76 in³/rev] during manual steering without oil supply and in normal steering.
 - From 100 cm³/rev to 200 cm³/rev [6.10 to 12.21 in³/rev] at full oil supply.

Features of OSPQ Load Sensing steering units:

- Features like OSPC LS plus
 - Possibility of manual steering of heavier vehicles, without the need for an emergency pump.

OSPL LS

For larger vehicles typically heavy fork lift trucks, loaders and dumpers, Sauer-Danfoss also offers a hydrostatic steering units of the Load Sensing (LS) type optimized for high steering flow: OSPL.



F300611.tif

The OSPL Load Sensing steering unit is available in two versions:

- Load Sensing non-reaction (LS) static
- Load Sensing non-reaction (LS) dynamic

Main data of OSPL LS:

- Displacement : 520 - 1000 cm³/rev [31.8 - 61.0 in³/rev]
- Flow: 52 - 100 l/min [13.74 - 26.4 US gal/min]
- Max. steering pressure: 210 bar [3045 psi]
- Max. back pressure: 40 bar [580 psi]

Features of OSPL Load Sensing steering units:

- Low steering torque 0.8 to 3.0 Nm [7.08 to 26.6 lbf·in] in normal steering situations
- Low noise
- Low pressure drop even at high flow
- Possibility of built in valve function: pilot pressure relief valve. The OVPL valve block for OSPL contains shock L + R, suction L + R, non-return in pump line and / or back pressure valve in tank connection.

OLSA/OLS PRIORITY VALVES

For Load Sensing systems, Sauer-Danfoss offers a wide range of priority valves:

Priority valves for flang mounting to Sauer-Danfoss LS-Steering units:

OLSA (Except for OSPR, OSPQ and OSPL)

Priority valves for in-line use: OLS

The OLSA and OLS priority valves are available in two versions:

- Static and
- Dynamic

Main data of OLSA:

- Flow, rated: 40 or 80 l/min [10.57 - 21.1 US gal/min]
- Max. system pressure: 250 bar [3625 psi]

Main data of OLS:

- Flow, rated: 40, 80, 120 or 160 l/min [10.57, 21.1, 31.7 or 42.3 US gal/min]
- Max. system pressure: 250 bar [3625 psi]
- OLS 160: 350 bar [5076 psi] on P and EF port

Features of OLSA and OLS priority valves:

- Low noise valves
- OLS 160: available with pilot pressure relief valve

OLSA



F300625.tif

OLS 40/80



F300624.tif

OLS 120



F300623.tif

OLS 160



F300622.tif

OSQ FLOW AMPLIFIER

For very heavy vehicles typically very large fork lift trucks, loaders, dumpers and special vehicles weighing one hundred ton or more, Sauer-Danfoss offers a flow-amplifier to amplify the oil from the steering unit: OSQ. The OSQ is based on the load sensing steering principle.

OSQB



F300630.tif

The OSQ is available in three versions:

- OSQA for normal fittings connection
- OSQB with back pressure valve in tank connection and for flange type fittings
- OSQB/OLSQ with priority valve for emergency steering circuit

OSQB/OLSQ



F300646.tif

Main data of OSQ:

- Amplification factors : 4, 5, 8, 10 or 20
- Total displacement of steering system: 640 - 4160 cm³/rev [39 - 254 in³/rev]
- Flow: OSQA: 240 l/min [63.4 US gal/min]
OSQB: 400 l/min [105.7 US gal/min]
- Max. steering pressure: 210 bar [3045 psi]

Features of OSQ flow-amplifier:

- High steering capacity
- Low pressure drop even at high flow
- Possibility of built in valve functions: pilot pressure relief valve, priority valve, shock and suction valves in L + R. OSQB also has back pressure valve in tank connection.
- OSQB/OLSQ has flanged on priority valve for emergency steering circuit

PILOT STEERING UNITS: OSPBX, OSPLX, OSPCX LOAD SENSING STEERING UNITS

The OSQ flow-amplifiers require special pilot steering units of the type

- OSPBX LS
- OSPLX LS or
- OSPCX LS

which are all load-sensing steering units whose L- and R- connections are open to tank in neutral position.

OSPBXLS



F300614.tif

The "X LS" steering units are available in three versions:

- OSPBX LS for OSQA and OSQB
- OSPLX LS for OSQA and OSQB
- OSPCX LS with pilot pressure relief valve for OSQB/OLSQ

Main data of the "X LS" steering units:

Displacement OSPBX LS and OSPCX LS	160 - 400 cm ³ /rev [9.76 - 24.4 in ³]
Displacement OSPLX LS	520 - 630 cm ³ /rev [31.7 - 38.4 in ³]
Maximum steering pressure	210 bar [3045 psi]

EHPS PILOT OPERATED STEERING VALVES

For larger vehicles typically big tractors, heavy fork lift trucks, loaders and dumpers, Sauer Danfoss also offers a hydraulic and electro-hydraulic pilot operated steering valve type EHPS. EHPS systems are available in three versions.

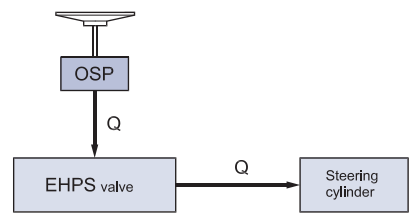


F300609.tif

EHPS TYPE 0

EHPS Type 0, hydrostatic steering system:

EHPS Type 0 is a purely hydraulic steering system with the EHPS valve acting as a pilot operated directional valve. A steering unit acts as a pilot unit delivering oil at a low pressure and low flow. The steering unit needs less displacement as in an ordinary hydrostatic steering system. The displacement can be optimised for emergency steering.



150-567.10

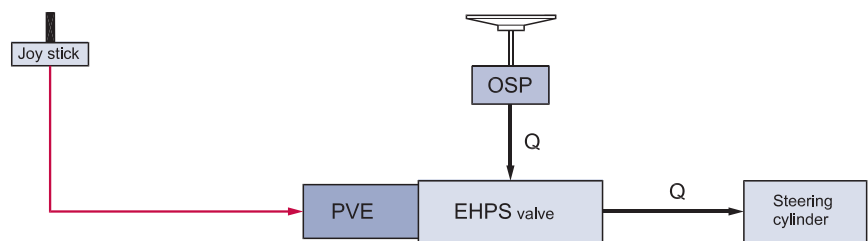
EHPS TYPE 1

EHPS Type 1, hydrostatic and electro-hydraulic steering system:

This system consists of an EHPS valve (type 0) equipped with an electrical activation unit (PVE). There are 2 possibilities of steering: either hydraulic with the steering wheel or electrical using a signal from, for example, a joystick. The valve gives highest priority to the signal from the steering wheel.



F300610.tif



150-566.10

EHPS TYPE 2

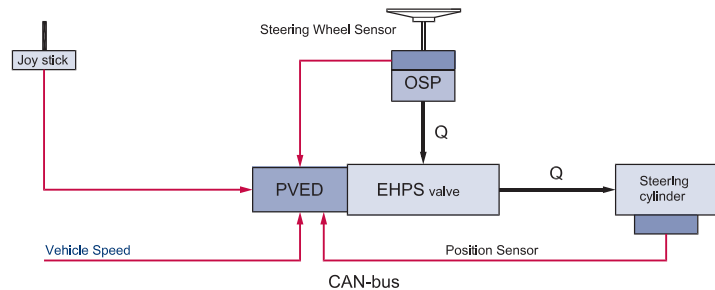
EHPS Type 2, hydrostatic and electro-hydraulic steering system:

This system consists of an EHPS valve equipped with an electrical activation unit (PVED), steering wheel sensor and position sensor. Then it is possible to steer by wire with active hydraulic back up.

The safety system in the integrated micro-controller gives steering with an electrical signal a very high level of safety. The characteristics are variable steering ratio on the steering wheel, elimination of steering wheel drift and the possibility of communicating with automatic steering.



F300610.tif



150-565.10

Main data of EHPS:

- Flow for steering: up to 100 l/min [26.4 US gal/min]
- Max. steering pressure: 250 bar [3625psi]
- Max. pump flow to priority valve in EHPS: 150 l/min [31.6 US gal/min]

Features of EHPS:

- High steering pressure requiring smaller steering cylinders.
- Low pilot pressure up to 30 bar [435 psi] for the pilot steering function giving an extremely low noise level in the cab.
- With integrated valve functions: pilot pressure relief, priority, shock and suction in L + R and pilot pressure control.
- Possibility of emergency steering (manual) in the event of pump failure.
- Minimal side acceleration on vehicles with articulated steering.
- Micro controller with safety critical software means:
 - No steering wheel drift.
 - Possibility of variable steering ratio.
 - Possibility of automatic steering
 - CAN-bus interface.
- EHPS can be built together with Sauer-Danfoss proportional valves (PVG 32).

**PILOT STEERING UNIT
OSPCX CN FOR EHPS**

The EHPS pilot operated steering valve requires a special pilot steering unit, viz:

- OSPCX CN

that is a closed-center steering unit whose L- and R-connections are open to tank in neutral position.

Main data of the OSPC CN steering units:

- Displacement: 50-200 cm³/rev [3.05 - 12.20 in³]
- Maximum pilot steering pressure: 30 bar (435 PSI)

OVP, OVPL AND OVR VALVE BLOCKS

For OSPB steering units, which are without incorporated valve functions, Sauer-Danfoss offer the valve block type OVP.

The OVP valve block is available in one version:

- OVP with pressure relief, shock, suction, and check valves

Main data of OVP:

- Pressure setting of shock valves: max. 240 bar [3480 psi]
- Pump flow: up to 80 l/min [21.1 US gal/min]



F300628.tif

For the OSPL Load Sensing unit Sauer-Danfoss offers a flange on valve block: OVPL

Main data of OVPL:

- Flow: 100 l/min [26.4 US gal/min]
- Max. pressure setting: 270 bar [3916 psi] on shock valves

Features of OVPL valve block:

- Double service ports (2x L and 2x R) as option
- Possibility of built in valve functions: shock and suction in L + R, non-return in pump line, back pressure in tank line.



F300629.tif

The OVR is designed specially for applications where pipes and/or hoses must run parallel with the steering column axis of the steering unit, and where space are limited.

The OVR contains no valve functions.



F300626.tif

The OVP, OVPL and OVR can only be used in connection with steering units without spot facing around the port connections on the port surface.

OTP STEERING COLUMNS

For all Sauer-Danfoss steering units we offer a wide range of steering columns:

- OTPM, OTPM-T and OTPM-TT steering columns for mini steering units OSPM.
- OTPB, OTP-T and OTP-TT for all other types of Sauer-Danfoss steering units and for torque amplifiers.

The steering columns can be supplied in many variants:

- Length from 45 to 1200 mm [1.77-47.2 in]
- Several different connections for steeringwheel
- With or without sensor for electrical driven hydraulic pump
- With or without horn connection
- Can be supplied complete with installation brackets
- Different options for noise and vibration suppression available
- Cover to hide cables.



F300604.tif

OTP-TT steering columns can be tilted and/or are telescopic.
 The angle of tilt is from -25° to + 25° and length is from 280 to 850 mm [11.02 - 33.5 in]

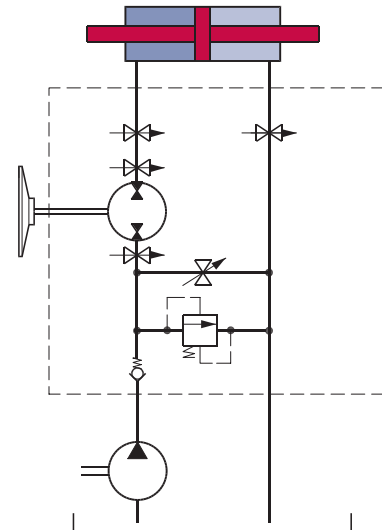


**OPEN CENTER
 STEERING SYSTEM**

In Open center systems a fixed displacement pump constantly supplies oil to the steering circuit separately.

Features of open center steering systems with Sauer-Danfoss open center steering units:

- Immediate reaction of the steered wheels, once the steering wheel begins to turn.
- High steering comfort maintained throughout significant changes of steering load and pump oil flow.
- Damping characteristics when system-conditioned pressure variations occur.
- Simple system build-up with stable steering under all conditions.



150-568.10

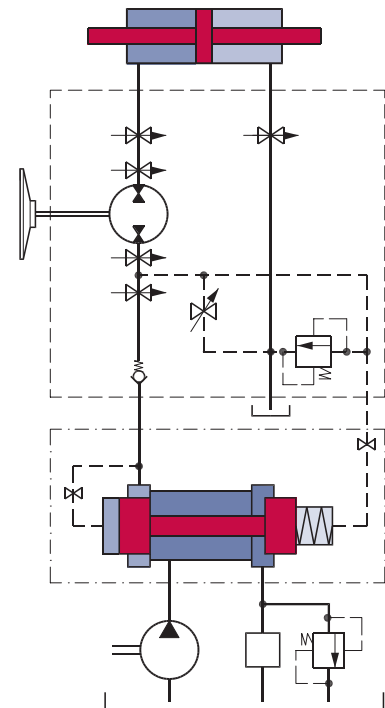
**LOAD SENSING
 STEERING SYSTEMS**

In Load Sensing steering systems the oil for the steering system is supplied by a pump via a priority valve or from a pump with variable displacement. For Load Sensing systems Sauer-Danfoss offers 3 basic types of steering units:

Features of Load Sensing Static steering systems with Sauer-Danfoss LS Static steering units:

OSP LS Static

- First generation of load sensing
- No flow through the steering unit when not steering: minimum loss of energy.



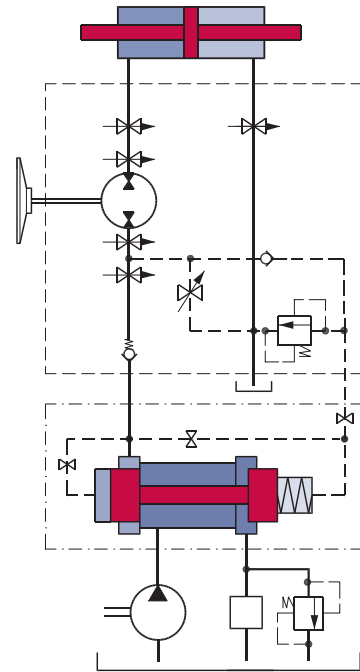
150-569.10

**LOAD SENSING
 STEERING SYSTEMS
 (CONTINUED)**

**Features of Load Sensing Dynamic
 steering systems with Sauer-Danfoss
 LS Dynamic steering units:**

OSP LS Dynamic

- Second generation of load sensing
- Constant flow through the unit when not steering, recommended level:
 0,6 - 0,9 l/min [0.16 - 0.24 US gal/min]
- Dynamic flow causes quick reaction time when starting to steer (no hard spot)
- Check valve in P-line and in LS-line of steering unit avoids kick back at the steering wheel
- Steering unit always has the same temperature as the oil in the entire system, therefore no risk of sticking spool/sleeve set in housing even when starting up under very cold conditions

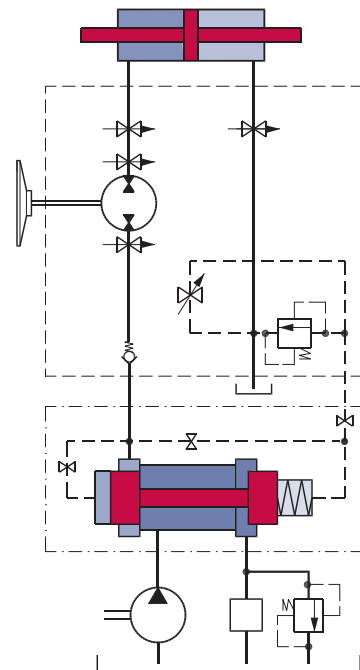


150-570.10

**Features of Load Sensing Dynamic
 steering systems with Sauer-Danfoss
 OSPF LS steering units:**

OSPF LS Dynamic

- Third generation of load sensing:
 full drain load sensing dynamic
- Constant flow through the unit when not steering, recommended level:
 1 - 1,5 l/min [0.26 - 0.40 US gal/min]
- Dynamic flow eliminates hard point when starting steering
- No kick back in steer wheel because of check valve in P- and no connection P-line to LS-line
- Steering unit always has the same temperature as the oil.
- OSPF is extremely good in controlling negative steering forces
- Higher max. steering speed, limited only by the capacity of the pump and the pressure setting



150-571.10

CHOICE OF STEERING CONCEPT AND COMPONENTS

The choice of steering concept is determined mainly by vehicle design, performance requirements and required operating functions.

When a hydrostatic system is chosen, the next step involves deciding whether the hydraulic steering system is to be:

- Open Center steering system
- Power Beyond steering system
- Closed Center non-Load-Sensing steering system
- Load Sensing steering system

The choice will also depend on system cost requirements, hydraulic system energy consumption and system complexity.

When a Load Sensing system has been chosen, there are three further possibilities:

- Load Sensing Static steering system
- Load Sensing Dynamic Steering system
- Load Sensing Dynamic steering system based on Sauer-Danfoss OSPF steering units

The choice here will depend on performance requirements and running-in complexity:

- Load Sensing Static steering systems are the simplest Loading Sensing types as regards the initial setting up of the priority valve spring/orifices combination.
- Load Sensing Dynamic steering systems give, in most cases, better steering performance than Static steering systems. See page 26.
- Load Sensing Dynamic steering systems with OSPF steering units give by far the best steering characteristics. See page 26. Such a system can require highly precise setting up of the priority valve spring/orifices combination and it is essential to ensure high "dynamic" flow from the priority valve, min. 1 litre/min [0.26 US gal/min].

When specifying a steering system, there are two steering unit options, viz. "Reaction" and "Non-reaction":

- With reaction steering units, any external forces that act on the steered wheels result in a corresponding movement of the steering wheel, when the driver is not steering the vehicle
- With non-reaction steering units there is no such corresponding movement of the steering wheel, when the driver is not steering the vehicle

For vehicles with rear-wheel steering and articulated steering, or for vehicles that require a steering unit displacement $>250 \text{ cm}^3/\text{rev}$ [$15.25 \text{ in}^3/\text{rev}$], Sauer-Danfoss always recommends non-reaction steering units.

Size calculations on steering cylinders, steering units and pumps for steering systems are given in "General information" in the next section.

If a suitable compromise cannot be achieved between minimum necessary displacement determined by maximum desired number of steering wheel revolutions from lock to lock, and maximum permissible displacement for building up the steering pressure in emergency situations with pump failure, it is possible to choose a steering unit with variable displacement: type OSPD or OSPQ.

LEGISLATION OF STEERING SYSTEMS

Please pay attention to country specific legislation for hydraulic/electro-hydraulic steering systems in public traffic. The most wellknown of these in Europe are the German TÜV regulation § 38stVZo and the ISO 5010 standard.

**TECHNICAL DATA
 COMMON**

Ambient temperature		min.	-30°C	[-22°F]
		max.	+60°C	[140°F]
Surface treatment	Permissible temperature assuming non-activated steering unit		120°C [248°F] for 20 minutes	
Oil temperature		min.	-30°C	[-22°F]
		max.	90°C	[194°F]
Recommended oil temperature		min.	30°C	[-22°F]
		max.	60°C	[140°F]
Oil viscosity		min.	10 mm ² /s	[59 SUS]
		max.	1000 mm ² /s	[4629 SUS]
Recommended viscosity		min.	12 mm ² /s	[66 SUS]
		max.	80 mm ² /s	[370 SUS]
Filtration	Max. degree of contamination	ON/OR	22 / 20 / 17	
	ISO 4406	LS/CN/PB	21 / 19 / 16	
Temperature-difference between steering unit and other hydraulics		max.	10°C	[50°F]
Steering torque, OSPM	Normal steering		0.5-1.5 Nm	[4.43 -13.3 lbf-in]
	Manual steering ¹⁾		Max. 80 Nm	[708 lbf-in]
	Momentary load		Max. 160 Nm	[1416 lbf-in]
Steering torque, other OSP	Normal steering, OSPF		0.5-1.8 Nm	[4.43-15.93 lbf-in]
	Normal steering, OSPL		1.5 - 4.0 Nm	[13.3 - 35.4 lbf-in]
	Normal steering other OSP		0.8 - 3.0 Nm	[7.08 - 26.55 lbf-in]
	Manual steering ¹⁾		Max. 120 Nm	[1062 lbf-in]
	Momentary load		Max. 240 Nm	[2124 lbf-in]

¹⁾ Steering units must not be used for continuous manual steering, max.1% of life cycle

**MANUAL STEERING
 PRESSURE**

Under normal operating where the steering pump supplies an adequate oil flow at the required pressure, the maximum torque on the steering wheel will not exceed 5 Nm [44.2 lbf-in]. If the oil flow from the steering system pump fails or is too small, the steering unit functions automatically as a manual steering pump.

Manual steering can only be used for a limited control of the vehicle if a sudden drop of pump pressure or flow occurs.

The table below shows the nominal manual steering pressure (P_m) for all sizes of Sauer-Danfoss steering units type OSPM at a steering wheel torque of 80 Nm [708 lbf-in]. The values apply only if the suction conditions on the steering unit T port are adequate.

OSPM		32	50	63	80	100
P_m	bar	100	80	60	50	40
	[psi]	[1450]	[1160]	[870]	[725]	[580]

The table below shows the nominal manual steering pressure (P_m) for all types of Sauer-Danfoss steering units except OSPM at a steering wheel torque of 120 Nm [1062 lbf-in] a value which is considered to be the maximum torque an average size operator can exert. The values apply only if the suction conditions on the steering unit T port are adequate.

OSP	50	80	100	125	160	200	315	400	500	630	800	1000
P_m (bar)	90	80	60	50	40	30	20	15	12	10	7	6
P_m [psi]	1305	1160	870	725	580	435	290	217	174	145	101	87

**MANUAL STEERING
 PRESSURE CONTINUE**

In the German TÜV directives, §38stVZo specifies the maximum permissible steering-wheel rim force in an emergency steering situation (Please consult the directives for the ruling values).

If, for example, the permissible steering wheel rim force is $F_e = 350\text{ N}$ [78.7 lbf] and the steering wheel diameter SWd is $= 0.381\text{ m}$ [15"], the steering torque T_{sw} will be =

$$T_{sw} = F_e \cdot \frac{SWd}{2} = 350 \cdot \frac{0.381}{2} = 66.7\text{ Nm}$$
 [590 lbf-in]

Accordingly, the obtainable maximum steering pressure will be lower than stated in the table on page 28.

With, for example, an OSPC 80, the maximum steering pressure P_{mr} , will be =

$$P_{mr} = P_m \text{ table} \times T_{sw}/T_{\text{table}} = 80 \times 66/120 = 44\text{ bar}$$
 [638 psi].

**CALCULATION OF
 STEERING SYSTEMS**

ACKERMANN STEERING

Symbols:

- M_L (Nm) [lbf-in]: steering torque
- F (N) [lbf]: steering force
- G_s (N) [lbf]: force on shaft (weight)
- e (mm) [in]: king pin off-set
- B (mm) [in]: tyre breadth
- μ_s : friction coefficient
- S (cm) [in]: piston stroke)
- r (m) [ft]: minimum effective radius arm for steering cylinders

The force on the shaft is 80.000 N (8.000kg) [17.984 lbf] King pin off-set is 100 mm. [3.94 in]. Tyre breadth is 200 mm [7.87 in] Friction coefficient between road and tyres is 0.8. Minimum effective radius arm for steering cylinders is 0.1 m [3.94 in]. According to Taborek's formula the total steering torque becomes

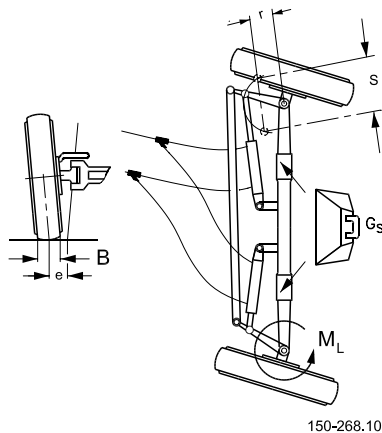
$$M_L = 0.05 \cdot G_s \cdot \frac{1}{1 + \frac{e}{B}} \cdot \frac{B}{200} \cdot \frac{\mu_s}{0.7} \quad 0.7$$

$$M_L = 0.05 \cdot 80.000 \cdot \frac{1}{1 + \frac{100}{200}} \cdot \frac{200}{200} \cdot \frac{0.8}{0.7} \text{ Nm}$$

$$M_L = 3050\text{ Nm}$$
 [26994 lbf-in]

Cylinder piston rods must then produce a steering force of:

$$F = \frac{M_L}{r} = \frac{3050}{0.1} \text{ N} = 30.500\text{ N}$$
 [6856lbf]

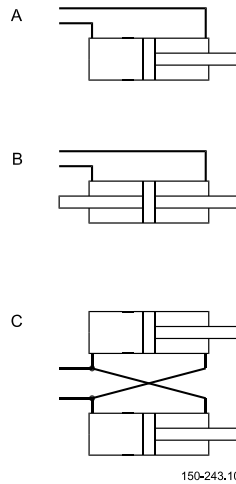


150-268.10

**CALCULATION
 OF STEERING SYSTEMS**

CYLINDER

Symbols:
 F (N) [lbf]: steering force
 P (bar) [psi]: steering pressure
 D (cm) [in]: internal diameter of cylinder
 d (cm) [in]: piston rod diameter
 S (cm) [in]: piston stroke
 V (cm³) [in³]: stroke volume



When using only one differential cylinder, the number of steering wheel revolutions from lock to lock will be different for each direction of rotation. Use a piston seal in the cylinder to avoid leakage from one side of the piston to the other.

A: Differential cylinder

When max. steering pressure P is led to the largest area, the steering force becomes:

$$F = P \cdot \frac{\pi}{4} \cdot D^2 \cdot 10$$

At steering to the largest area, the stroke volume becomes:

$$V = \frac{\pi}{4} \cdot D^2 \cdot S$$

With max. steering pressure P acting on the smallest area, the steering force becomes:

$$F = P \cdot \frac{\pi}{4} \cdot (D^2 - d^2) \cdot 10$$

At steering to the smallest area, the stroke volume becomes:

$$V = \frac{\pi}{4} \cdot (D^2 - d^2) \cdot S$$

B: Balanced cylinder:

$$F = P \cdot \frac{\pi}{4} \cdot (D^2 - d^2) \cdot 10$$

$$V = \frac{\pi}{4} \cdot (D^2 - d^2) \cdot S$$

C: Cross-connected cylinders:

$$F = P \cdot \frac{\pi}{4} \cdot (2D^2 - d^2) \cdot 10$$

$$V = \frac{\pi}{4} \cdot (2D^2 - d^2) \cdot S$$

**CALCULATION EXAMPLE
 OF STEERING CYLINDER**

Cross-connected cylinders are used. The steering force is 30.500 N [6857 lbf]. The steering pressure is 90 bar [1305 psi]. Piston stroke is 20 cm [7.90 in]. The relation between the piston rod diameter and internal diameter of the cylinder is $\frac{d}{D} = \frac{1}{2}$ for the cylinder chosen.

Inserted in the formula for steering force $30.500 \cdot 10 = 90 \cdot \frac{\pi}{4} (2(2d)^2 - d^2) \cdot 10$

the result is $d = 2,5 \text{ cm [1 in]}$ og $D = 2 \cdot d = 5,0 \text{ cm [2 in]}$.

Stroke volume: $V = \frac{\pi}{4} \cdot (2 \cdot 5,0^2 - 2,5^2) \cdot 20 = 687 \text{ cm}^3 [41.9 \text{ in}^3]$

A theoretical calculation of steering cylinders and steering pressure may result in inadequate steering forces in many dynamic steering situations in practise. An empirical rule verifies that adding an approx. 50 bar [725 psi] pressure to the theoretically required pressure usually always ensures a satisfactory steering performance. Based on this empirical rule, the required size of cylinder can be calculated on basis of a steering pressure that is 50 bar [725 psi] lower than the available system pressure. Therefore, in the example illustrated above, the steering system must be able to work with a pump pressure of $90 \text{ bar [1305 psi]} + 50 \text{ bar [725 psi]} = 140 \text{ bar [2030 psi]}$

**CALCULATION EXAMPLE
 OF STEERING UNIT**

Symbols:
 $V \text{ cm}^3 [\text{in}^3]$: stroke volume
 $V_v \text{ cm}^3/\text{rev} [\text{in}^3/\text{rev}]$: steering unit displacement
 $i \text{ (rev)}$: required number of steering wheel revolutions from lock to lock

The required steering unit displacement is calculated from $V_v = \frac{V}{i}$

With a stroke volume of $687 \text{ cm}^3 [41.9 \text{ in}^3]$ and a required number of steering wheel revolutions from lock to lock of 3 to 4, the steering unit displacement will be between $172 \text{ and } 229 \text{ cm}^3/\text{rev} [10.56 \text{ and } 13.97 \text{ in}^3/\text{rev}]$. A steering unit with a displacement of $200 \text{ cm}^3/\text{rev} [12.20 \text{ in}^3/\text{rev}]$ will give 3.4 steering wheel revolutions.

**CALCULATION EXAMPLE
 OF PUMP**

Symbols:
 $V_v \text{ (cm}^3/\text{rev) [in}^3/\text{rev]}$: steering unit displacement
 $n \text{ (min}^{-1}) [\text{rev}/\text{min}]$: required steering wheel speed
 $Q \text{ (l/min) [US gal}/\text{min}]$: oil flow

The oil flow is calculated from $Q = V_v \cdot n \cdot 10^{-3}$.

With a displacement of $200 \text{ cm}^3/\text{rev} [12.20 \text{ in}^3/\text{rev}]$ and a required steering speed of $100 \text{ min}^{-1} [\text{rev}/\text{min}]$, the oil flow will be $Q = 200 \cdot 100 \cdot 10^{-3} = 20 \text{ l}/\text{min} [5.28 \text{ US gal}/\text{min}]$

STEERING WHEEL REVOLUTIONS AND STEERING SPEED

Recommended:
 Number of steering wheel revolutions from lock to lock: 3 to 5.
 Steering wheel speed: 100 to 150 $\text{min}^{-1}/\text{min} [\text{rev}/\text{min}]$
 Steering wheel speed with engine at idle: min. 60 $\text{min}^{-1}/\text{min} [\text{rev}/\text{min}]$

**CALCULATION OF
 LS STEERING SYSTEM
 WITH WORKING
 HYDRAULICS**

Symbols:

- Q (l/min) [US gal/min]: required oil flow for the steering system
- Q_A (l/min) [US gal/min]: required oil flow for the remainder of the hydraulic system
- Q_p (l/min) [US gal/min]: required pump flow

The priority valve ensures priority to the steering system under any situations. In some cases the steering system can take all the oil flow from the pump. When it is designed that the steering system and the working hydraulics do not require oil simultaneously, the necessary oil flow from the pump Q_p will equal the higher of the two oil flows (Q_A or Q).

When working hydraulics and steering system must have oil at the same time, the necessary oil flow from the pump Q_p will equal the sum of the two oil flows (Q_A + Q).

The necessary oil flow to the steering unit is 20 l/min [5.28 US gal/min]. Required for the working hydraulics 40 l/min [10.56 US gal/min]. If it is acceptable that the working hydraulics drop in speed during steering then the necessary oil flow from the pump will be: Q_p = Q_A = 40 l/min [10.56 US gal/min].

**CALCULATION OF
 STEERING SYSTEM WITH
 FLOW-AMPLIFIER
 OSQA/OSQB**

Symbols

- V (cm³) [in³]: stroke volume
 - i (min⁻¹) [rev]: required number of steering wheel revolutions from lock to lock
 - V_v (cm³/rev) [in³/rev]: steering unit displacement
 - f: amplification factor of Flow-amplifier
- Steering unit displacement and amplification factor of the flow-amplifier are calculated from:

$$V_v \cdot f = \frac{V}{i}$$

**CALCULATION OF
 STEERING SYSTEM FOR
 ARTICULATED VEHICLE**

Should you wish to size a steering system for an articulated vehicle, Sauer-Danfoss will carry out computer calculations for you. Please take a copy of the questionnaire overleaf, complete it, and send it to the Sauer-Danfoss Sales organization.

CALCULATION OF STEERING SYSTEMS

ARTICULATED VEHICLE

Manufacturer: Vehicle: Units used: fill in with X:	Completed by: Type:	Date: Project: metric <input type="checkbox"/> US <input type="checkbox"/>
Weight of fully loaded vehicle: G max.=		kg [lbf]
Max. speed of vehicle:		km/h [mph]
Required number of steering wheel revolutions: i =		min ⁻¹ [rev]
Steering system pump: Max. steering pressure: Displacement: Minimum speed: Maximum speed:	Type:	bar [psi] cm ³ [in ³] min ⁻¹ [rev/min] min ⁻¹ [rev/min]
Loader Bucket width: W=		mm [in]
Other machines Number of front axles: Number of rear axles:		

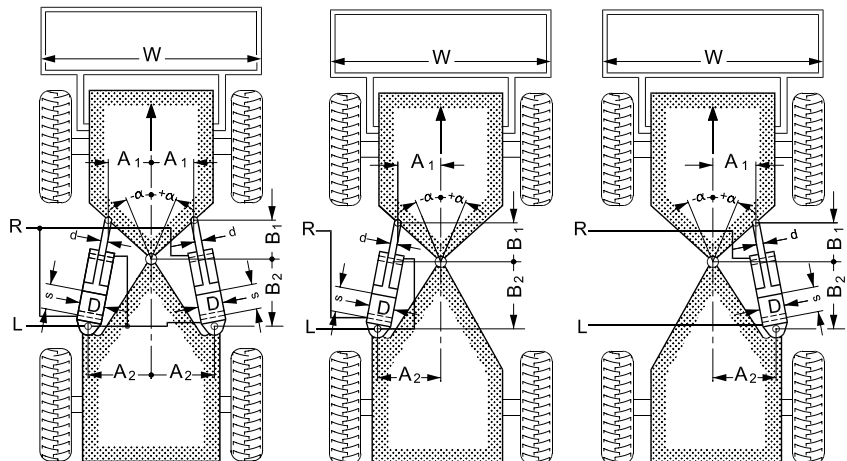
COMPLETE FORM

A1 =	mm	[in]	<i>Notes:</i>
A2 =	mm	[in]	
B1 =	mm	[in]	
B2 =	mm	[in]	
D =	mm	[in]	
d =	mm	[in]	
$\pm \alpha_{max.} =$			
E =			

2 cylinders E = 1

1 cylinder, left E = 2

1 cylinder, right E = 3



150-317.10

CALCULATION OF STEERING SYSTEMS

PUMP FOR FLOW-AMPLIFIERS OSQA/OSQB

Symbols:

Q (l/min) [US gal/min]:	oil flow required for steering components
Q _A (l/min) [US gal/min]:	oil flow required for working hydraulics
Q _p (l/min) [US gal/min]:	oil flow required from pump
V _v (cm ³) [in ³]:	steering unit displacement
f:	amplification factor of flow-amplifier
n (min ⁻¹) [rev/min]:	required steering speed

The integral priority valve in the flow-amplifier ensures priority to the steering system. When it is designed that the steering system and the working hydraulics do not operate simultaneously, the oil flow required from the pump Q_p will equal the higher of the two oil flows (Q_A or Q).

$$Q = V_v \cdot f \cdot n \cdot 10^{-3}$$

When working hydraulics and steering system must have oil at the same time, the oil flow required from the pump Q_p will equal the total of the two oil flows (Q_A + Q).

OIL TYPES

MINERAL OILS, NON-FLAMMABLE OR BIODEGRADABLE HYDRAULIC FLUIDS, SEALING MATERIALS, AND OIL TEMPERATURE

Mineral oils

When using mineral based hydraulic oil, we recommend the addition of a sufficient quantity of antiwear additive of a type that is active under boundary lubrication conditions at low temperatures.

Mineral oils are normally suitable if they belong to one of the three following groups:

- HM oil, possibly HV (ISO 6743/4, CETOP RP 91H) or H-LP oil (DIN 51524)
- Automatic Transmission Fluids (ATF A)
- SE- and CD motor oil (American Petroleum Institute (API))

The large content of additives in motor oils may produce sediment that can block valves and filters. If there is doubt about the suitability of an oil, please contact Sauer-Danfoss Sales Organisation.

Non-flammable or biodegradable hydraulic fluids

To an increasing extent Sauer-Danfoss steering components are being used in systems with non-flammable hydraulic fluids.

These fluids normally belong to one of the following groups according to ISO 12922:

Oil in water emulsion:	HFA
Water in oil emulsion:	HFB
Water/polymer solution:	HFC
Waterfree synthetic fluids:	HFD-U

Please contact the sales organization for Sauer-Danfoss Sales Organisation regarding the use of non-flammable or biodegradable fluids.

Sealing materials

The seals in steering components are of nitrile rubber NBR (Buna N) and teflon PTFE. If synthetic fluid is to be used in the steering system, please contact the Sauer-Danfoss Sales Organization regarding sealing material.

Oil temperature

Oil life will be drastically reduced because of oxidizing if the operating temperature exceeds 60 °C [140°F] for long periods.

A rule of thumb is that oil life is halved for each 8 °C [46.4°F] in excess of 80 °C [176°F]. Impurities in the oil, e.g. particles or water, will further reduce its life.

**PARTICLE CONTENT,
DEGREE OF CONTAMINATION
AND FILTERING**

Particle content, degree of contamination

The oil must be filtered to prevent the particle content from exceeding an acceptable level, corresponding to an acceptable degree of contamination. The maximum ISO degree of contamination (see ISO 4406 or CETOP RP 70) is

- for load sensing, closed center steering components and power beyond steering units: 22/19/16
- for open center steering components: 23/20/17

Filtering

How fine the filtering must be and where the filters are to be placed is always a compromise.

In systems with a good air filter and effective dust sealing, and which operate in clean surroundings, the degree of contamination can normally be kept within the limits laid down by using a return filter of 25 µm nominal (40-50 µm absolute) or finer. Conversely, systems operating with a poor air filter and inadequate dust sealing - in dusty surroundings - will often require more than one filter of 10 µm absolute. The filters can be pressure or return filters.

INSTALLATION

- All hydraulic components should be placed so that they are easily accessible.
- All hydraulic components should be installed outside the cabin of the vehicle.
- There should be a manometer connection in the pump line.
- Install the cylinders with the ports facing upwards so that air pockets are avoided.
- Mounting surfaces should be flat in order to ensure effective contact.
- Hydraulic pilot lines must be fitted in such a way that air pockets are avoided.
- Install the hydraulic components as stated in their individual installation instructions.
- Installation instructions are enclosed or can be ordered from Sauer-Danfoss Sales Organisation.
- The hydraulic components must not be forced or twisted into alignment by the fixing screws.
- Packing yarn, teflon, and other unsuitable sealing material must not be used on port adaptors. Use bonded seals, O-rings, steel washers, and similar materials.
- Do not remove the plastic plugs until pipes and hoses are to be fitted.
- Never tighten the screwed connections with a torque higher than the max. tightening torques stated in the instructions.
- The oil must have a contamination level better than the ISO 4406 code stated in the technical data page 28.
- Always refill the system through a filter.

TIGHTENING TORQUES

Connections	Max. tightening torque Nm [lbf·in]						
	With cutting edge		With copper washer		With alum. washer		O-ring
G 1/4	35	[309]	35	[309]	35	[309]	-
G 3/8	70	[619]	45	[398]	50	[442]	-
G 1/2	100	[885]	55	[486]	80	[708]	-
G 3/4	180	[1593]	90	[796]	130	[1150]	-
7/16-20 UNF	-		-		-		20 [177]
3/4-16 UNF	-		-		-		60 [531]
7/8-14 UNF	-		-		-		90 [796]
1 1/16-12 UN	-		-		-		120 [1062]
M12 • 1.5	30	[265]	20	[177]	30	[265]	25 [221]
M18 • 1,5	80	[708]	55	[486]	70	[619]	50 [442]
M22 • 1.5	100	[885]	65	[575]	80	[708]	60 [531]
9/16 - 18 UNF, ORFS	-		-		-		25 [221]
11/16 - 16 UN, ORFS	-		-		-		27 [239]

If in doubt about the choice of connection and sealing principle, please contact the Sauer-Danfoss Sales Organisation

STARTING UP AND RUNNING IN

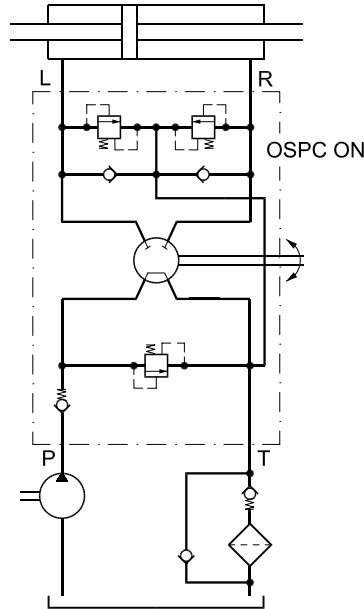
- Start the prime mover and where possible allow it to run at the lowest speed.
- Check the direction of pump shaft rotation.
- Any bleed screws must be left open until oil emerges without foam.
- In load sensing systems ensure that all signal lines are full of oil.
- Turn the steering wheel left and right until the steering components are completely bled.
- Signs of air in the hydraulic system
 - foam in the tank
 - jerky operation of actuator motor or cylinder
 - noise
- Refill again, if necessary.
- The system should not be loaded until completely bled.
- The hydraulic system is checked for tightness and satisfactory function.
- Change the oil filter, if necessary.

MAINTENANCE

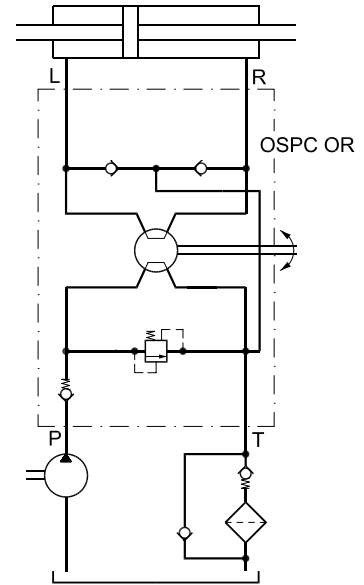
- Careful maintenance is essential to the reliability and life of the hydraulic system.
- Oil, oil filters, and air filters must be changed in accordance with the supplier's instructions.
- The condition of the oil must be checked at suitable intervals.
- System tightness and oil level must be checked frequently.

EXAMPLES OF STEERING SYSTEMS

**OSPC ON
OSPC OR**



150-367.10



150-429.10

OSPC ON

steering units contain one or more of the following possible valve functions:

- pressure relief valve
- shock valves
- suction valves
- check valve

OSPC OR

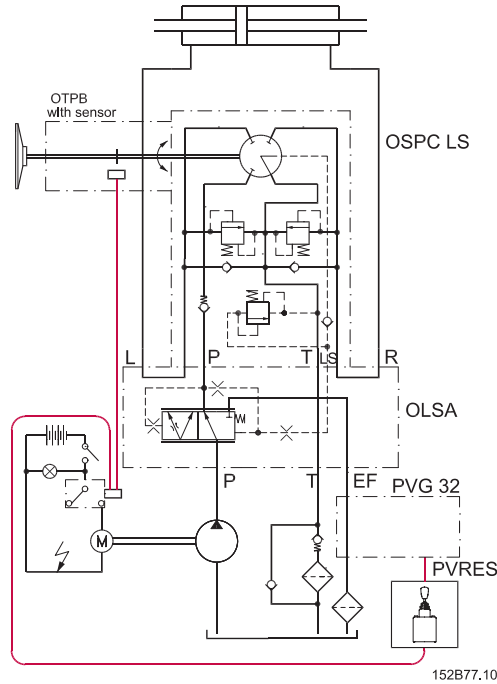
steering units contain one or more of the following possible valve functions:

- pressure relief valve
- suction valves
- check valve
- shock valves if needed

EXAMPLES OF STEERING SYSTEMS

OSPC LS + OLSA

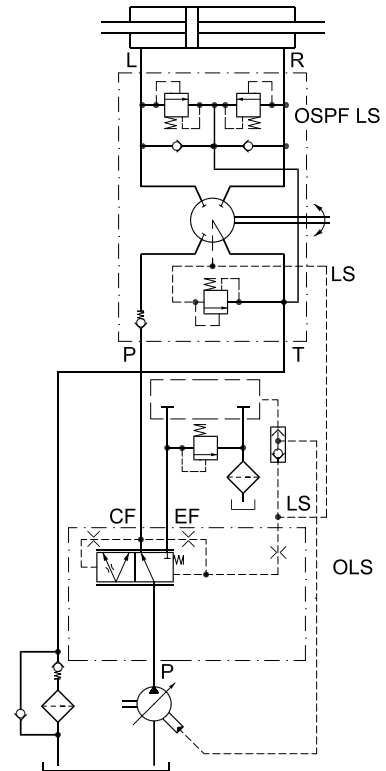
Steering unit with flange mounted priority valve OLSA and OTPB steering column with sensor.



152B77.10

OSPF + OLS

Load sensing steering system with variable displacement pump.



150-394.10

When the driver turns the steering wheel, the steering wheel sensor sends a signal to the relay box activating the electric motor that drives the hydraulic system pump. The system must also include a signal source in the working hydraulics. A PVRES control lever for example. The system is therefore energy-optimised, so that the hydraulic pump runs only when the hydraulic functions are active.

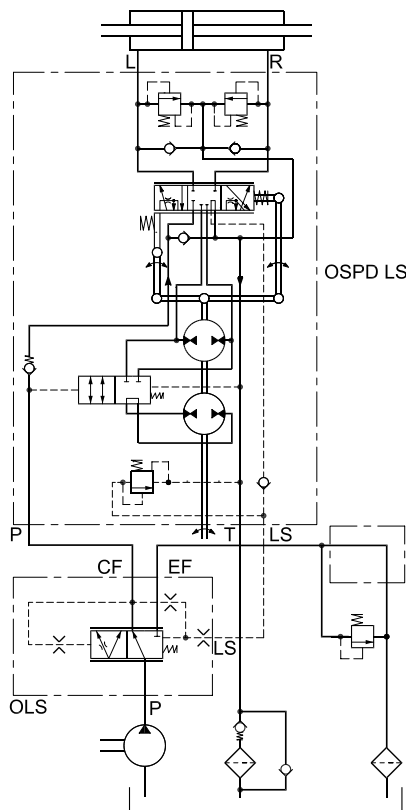
The pump and the working hydraulics circuit must be protected by a separate pressure relief valve.

EXAMPLES OF STEERING SYSTEMS

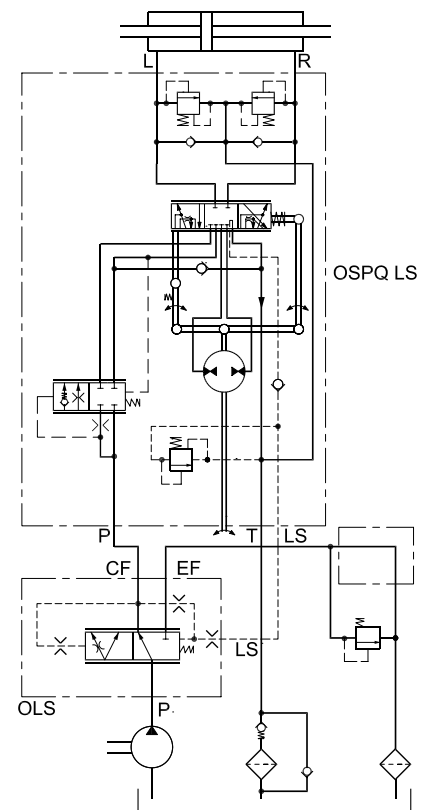
OSPD LS
OSPQ LS

OSPD LS
 Steering unit with two rotary meters

OSPQ LS
 Steering unit with amplification valve



150-475.10



150-574.10

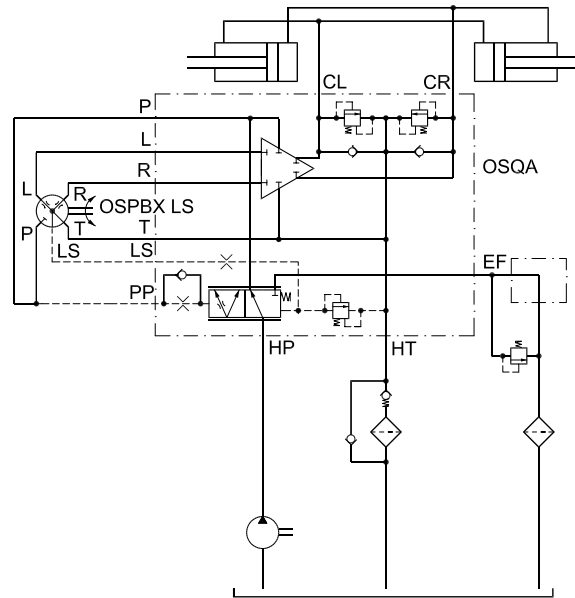
With OSPD or OSPQ even heavy vehicles can in many cases fulfil legislations and be steered without the emergency steering pump. An OSPD makes it possible to select a ratio between normal steering displacement and emergency steering displacement up to a factor of 5.

An OSPQ allows the selection of an amplification factor of up to 2.

The pump and the working hydraulics circuit must be protected by a separate pressure relief valve.

OSPBX LS AND OSQA

The pilot pressure relief valve in OSQA only protects the steering circuit. The pump and the working hydraulics circuit must be protected by a separate pressure relief valve.

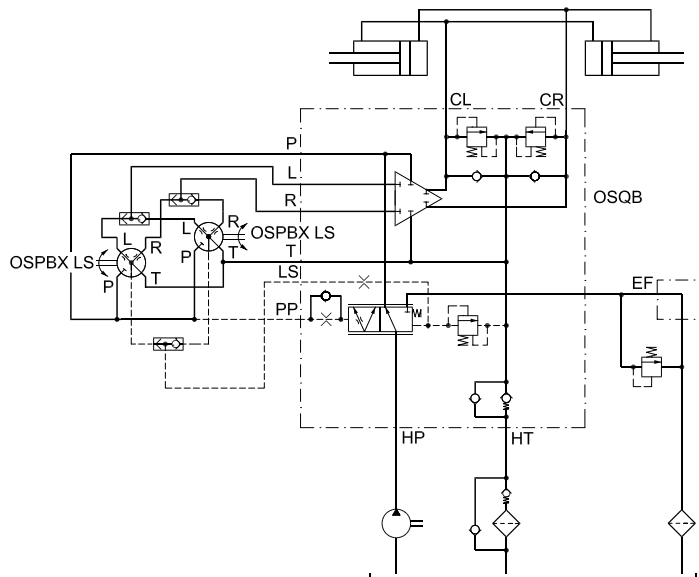


150F57.10

2 X OSPBX LS AND OSQB

The steering components are connected by three shuttle valves. The pilot pressure relief valve in OSQB only protects the steering circuit. The pump and the working hydraulics circuit must be protected by a separate pressure relief valve.

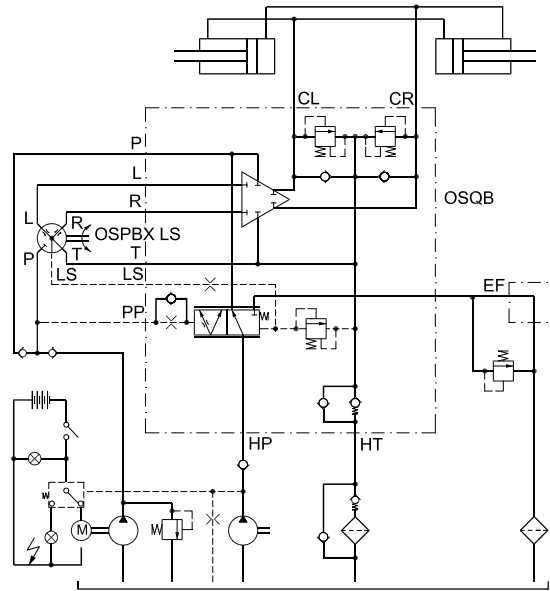
Steering systems with flow-amplifiers make it possible to connect working hydraulics to the EF connection. The built-in priority valve ensures first priority to the steering circuit. When the steering wheel is turned, the priority valve ensures that the necessary oil flow is led to the steering circuit. The rest is available for the working hydraulics.



150F58.10

**OSPBX LS AND OSQB
 SHOWN WITH ELECTRI-
 CALLY DRIVEN PUMP
 FOR EMERGENCY
 STEERING.
 NO AMPLIFICATION
 DURING EMERGENCY
 STEERING**

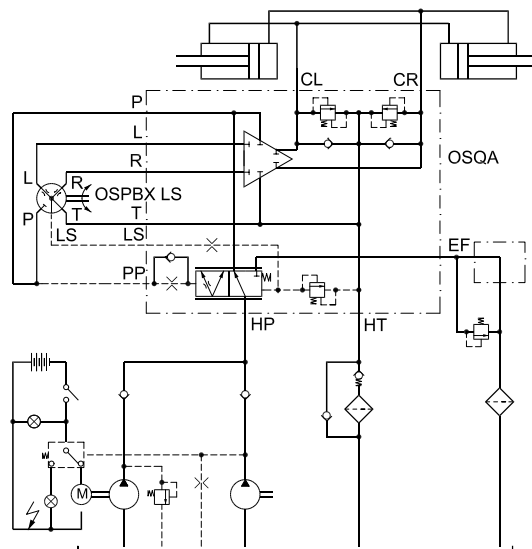
The pump for emergency steering operates when the pressure in the HP line is below the stand-by level. The pump for emergency steering supplies oil directly to the P line of the steering unit. So during emergency steering there is no amplification. The pressure in the P line must be limited to max. 100 bar when the pump for emergency steering is activated. The pilot pressure relief valve in OSQB only protects the steering circuit. The pumps and the working hydraulics circuit must be protected by separate pressure relief valves.



150F59.10

**OSPBX LS AND OSQA
 SHOWN WITH ELECTRI-
 CALLY DRIVEN PUMP FOR
 EMERGENCY STEERING.
 AMPLIFICATION DURING
 EMERGENCY STEERING**

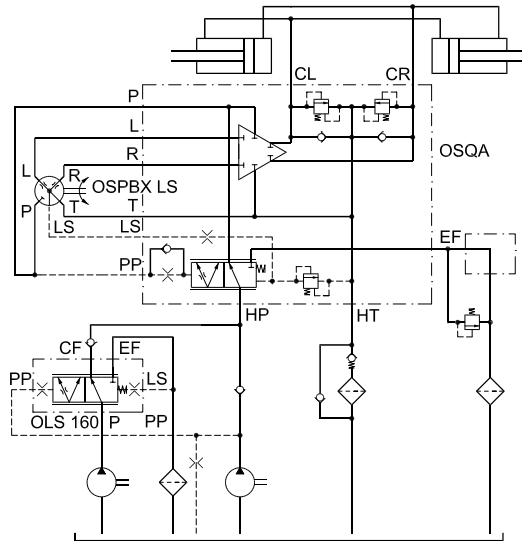
The pump for emergency steering is operated when the pressure in the HP line is below the stand-by level. The pump for emergency steering supplies the HP line with oil. So amplification is maintained during emergency steering. The pilot pressure relief valve in OSQA only protects the steering circuit. The pumps and the working hydraulics circuit must be protected by separate pressure relief valves.



150F60.10

OSPBX LS, OLS 160 AND OSQA SHOWN WITH SEPARATE MOTOR DRIVEN PUMP

An OLS 160 directs the oil flow from the emergency steering pump to the HP line if the main pump does not supply any oil. The pilot pressure relief valve in OSQA only protects the steering circuit. The pumps and the working hydraulics circuit must be protected by separate pressure relief valves.



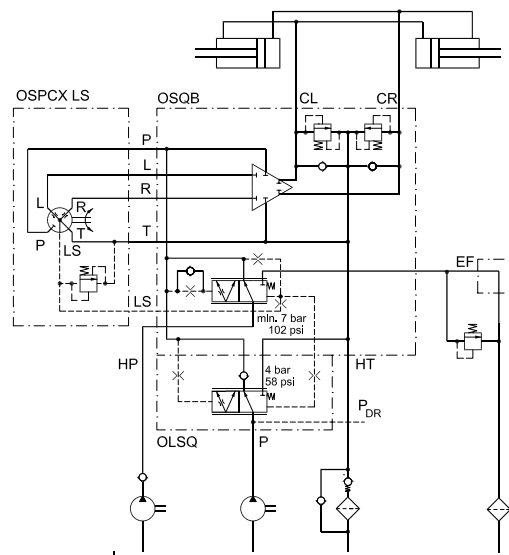
150F61.10

OSPBCX LS, AND OSQB/ OLSQ WITH INTEGRATED PRIORITY VALVE FOR EMERGENCY CIRCUIT

When under normal steering conditions the stand-by pressure in the main circuit (minimum 7 bar [102 psi] priority valve spring in OSQB) overrules the spring pressure in OLSQ (4 bar [58 psi] spring), OLSQ's priority valve will pass oil from the emergency steering pump across OLSQ's P-connection to the flow amplifier's HT tank connection.

If the oil supply from the main pump (HP) should fail, the stand-by pressure of OSQB's priority valve in the main pump circuit disappears and relocates the spool in OLSQ to enable the oil from the emergency steering pump to enter the pump circuit (P) in the OSQ.

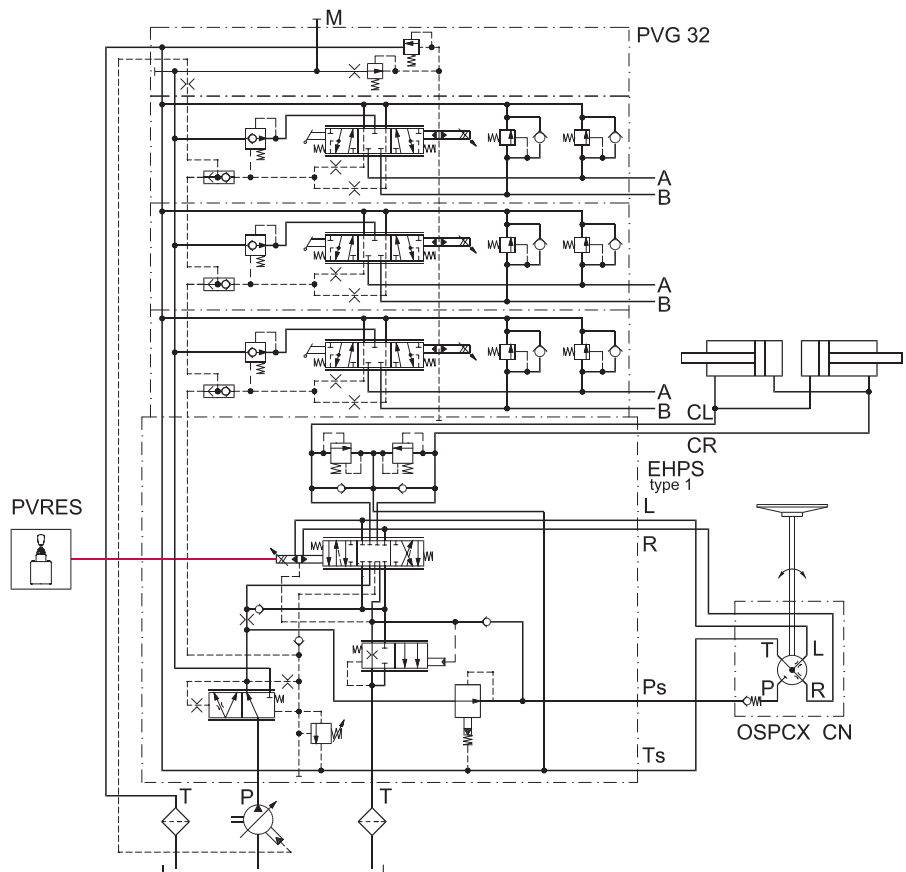
The pilot pressure relief valve in OSPCX LS only protects the steering circuit. The pumps and the working hydraulics circuit must be protected by separate pressure relief valves.



150F72.11

**EHPS TYPE 1 STEERING
 VALVE WITH PVG 32,
 OSPCX PILOT STEERING
 UNIT AND PVRES
 JOYSTICK.**

The vehicle can be steered with either the PVRES joystick or with the OSPCX pilot steering unit. The signal from the steering unit has priority on simultaneous activation of steering wheel and joystick.



150-575.11

**EHPS TYPE 2 STEERING
 VALVE WITH CONTROL
 MODULE PVED, OSPCX
 PILOT STEERING UNIT
 AND JOYSTICK.**

The vehicle can be steered either:

- automatically with a signal from an external signal source, e.g. range sensor or a GPS signal, or
- manually with a joystick, or with an OSPCX pilot steering unit.

The signal from the steering unit has priority:

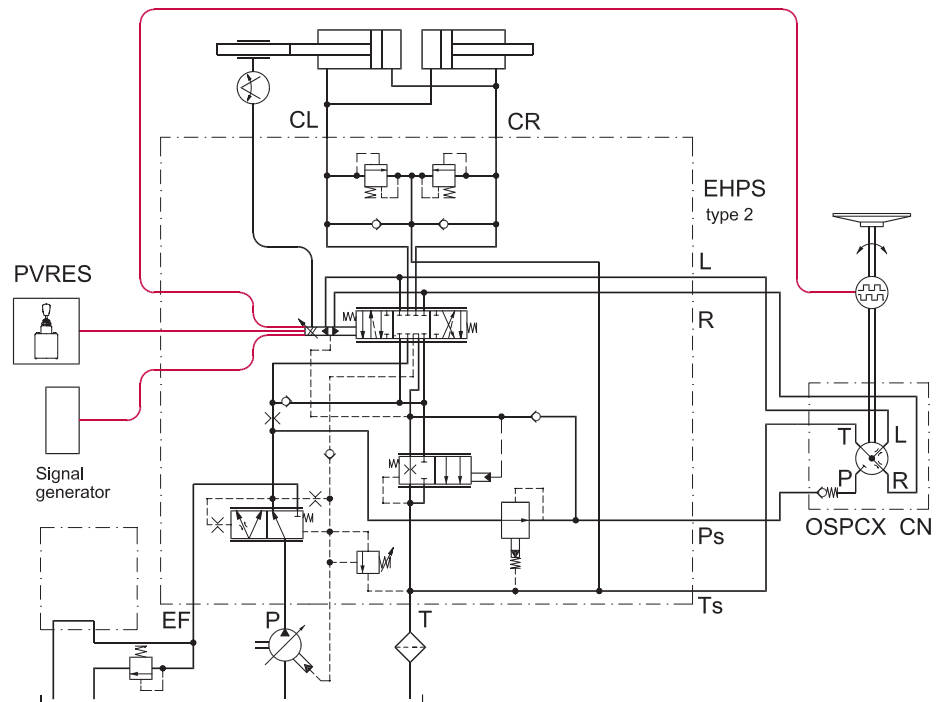
When the steering wheel is activated, the signal from the automatic steering valve discontinues and with simultaneous activation of steering wheel and joystick, the turning direction of the steered road wheels will correspond to the direction of rotation of the steering wheel.

The signal from the steering wheel sensor gives:

- variable steering wheel ratio

Zero-slip function: the steering wheel position corresponds to the position of the steering cylinder.

The pump and the working hydraulics circuit must be protected by a separate pressure relief valve.



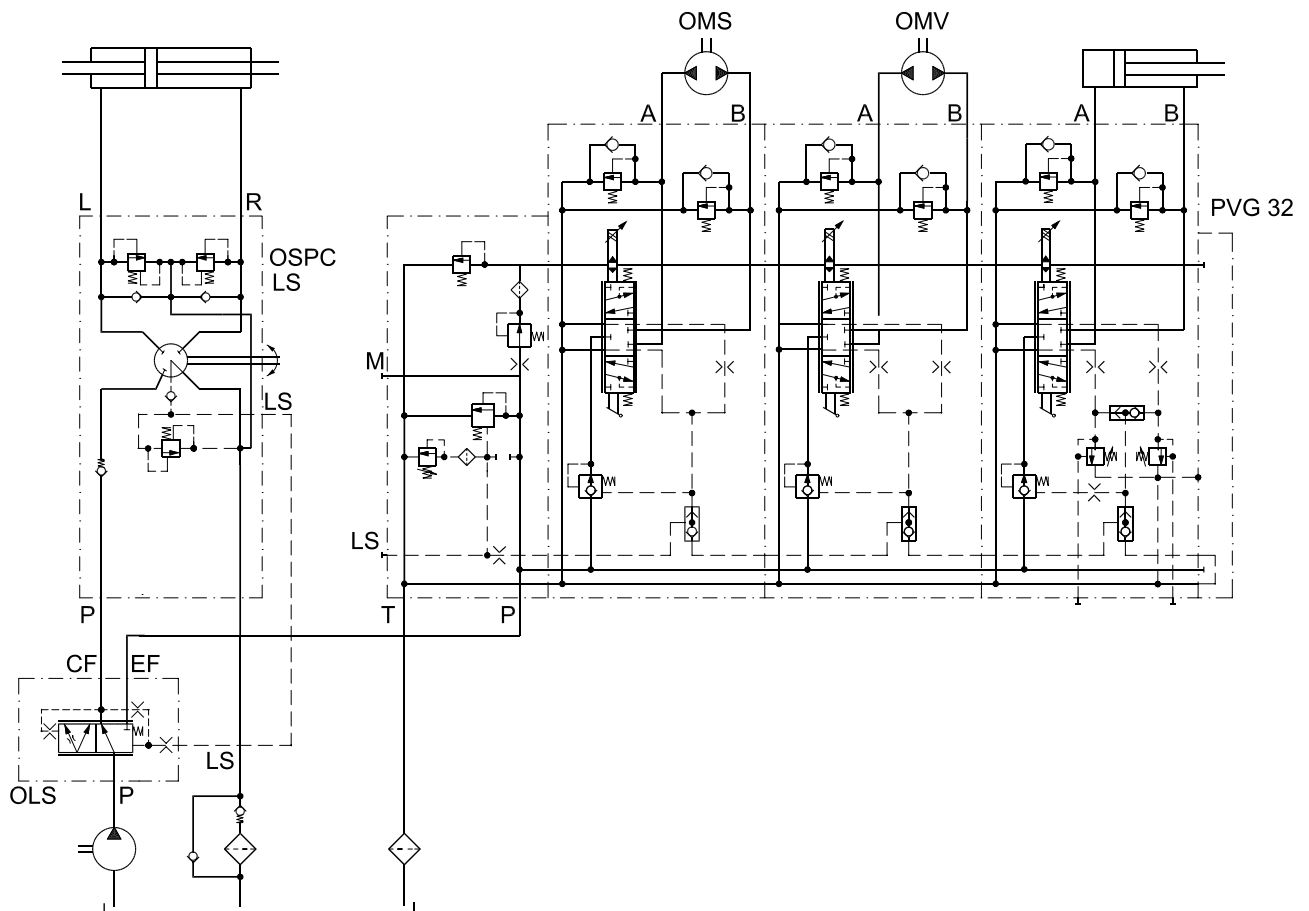
150-576.11

**LOAD SENSING
 STEERING SYSTEM AND
 LOAD SENSING WORK-
 ING HYDRAULICS WITH
 COMMON OIL SUPPLY
 FROM A FIXED DIS-
 PLACEMENT PUMP**

The pump oil flow is fed in from a priority valve OLS 120 or OLS 160, which ensures priority to steering.
 The built-in pilot pressure relief valve in OSPC LS protects the steering circuit.
 The built-in pilot pressure relief valve in Sauer-Danfoss proportional valve PVG 32 protects the working hydraulics circuit.

The first working hydraulics section is shown with a Sauer-Danfoss hydraulic motor .
 Shock and suction valves are built into the proportional valve.
 The second working hydraulics section is shown with a Sauer-Danfoss hydraulic motor.
 The third working hydraulics section is shown with LS pressure relief valves built into the proportional valve. Hereby maximum working pressure can be set separately for port A and port B.

Please contact the Sauer-Danfoss Sales Organization regarding assembly possibilities for your application.



NOTES



NOTES



HYNESUR

SUMINISTROS DE HIDRÁULICA Y NEUMÁTICA DEL SUR, S.L.

Pol. Ind. Los Palillos, Calle 6 Nave 31
41500 Alcalá de Guadaira
SEVILLA
Tel. 954 047 523 Fax. 955 631 705
hynesur@hynesur.com

OUR PRODUCTS

Hydrostatic transmissions
Hydraulic power steering
Electro-hydraulic power steering
Electric power steering
Closed and open circuit axial piston pumps and motors
Gear pumps and motors
Bent axis motors
Orbital motors
Transit mixer drives
Planetary compact gears
Proportional valves
Directional spool valves
Cartridge valves
Hydraulic integrated circuits
Hydrostatic transaxles
Integrated systems
Fan drive systems
Electrohydraulic controls
Digital electronics and software
Electric motors and inverters
Sensors

Sauer-Danfoss Hydraulic Power Systems – Market Leaders Worldwide

Sauer-Danfoss is a comprehensive supplier providing complete systems to the global mobile market.

Sauer-Danfoss serves markets such as agriculture, construction, road building, material handling, municipal, forestry, turf care, and many others.

We offer our customers optimum solutions for their needs and develop new products and systems in close cooperation and partnership with them.

Sauer-Danfoss specializes in integrating a full range of system components to provide vehicle designers with the most advanced total system design.

Sauer-Danfoss provides comprehensive worldwide service for its products through an extensive network of Authorized Service Centers strategically located in all parts of the world.

Sauer-Danfoss [US] Company
2800 East 13th Street
Ames, IA 50010, USA
Phone: +1 515 239-6000, Fax: +1 515 239-6618

Sauer-Danfoss [Neumünster] GmbH & Co. OHG
Postfach 2460, D-24531 Neumünster
Krokamp 35, D-24539 Neumünster, Germany
Phone: +49 4321 871-0, Fax: +49 4321 871-122

Sauer-Danfoss [Nordborg] A/S
DK-6430 Nordborg, Denmark
Phone: +45 7488 4444, Fax: +45 7488 4400

www.sauer-danfoss.com